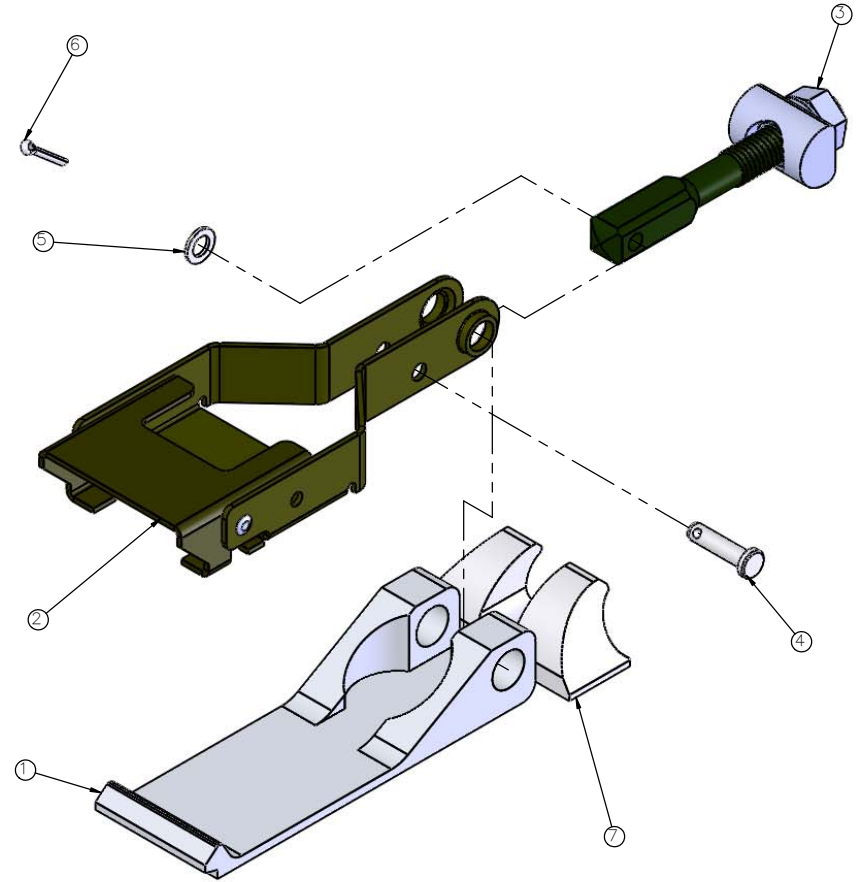
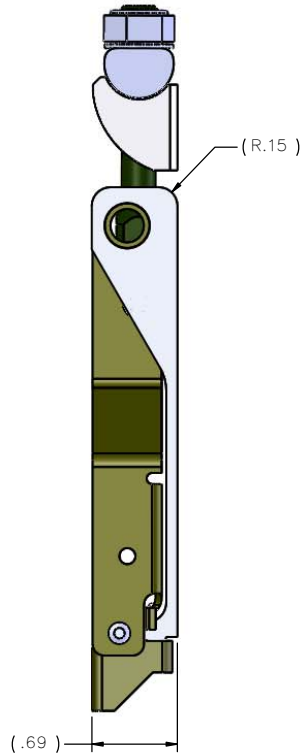
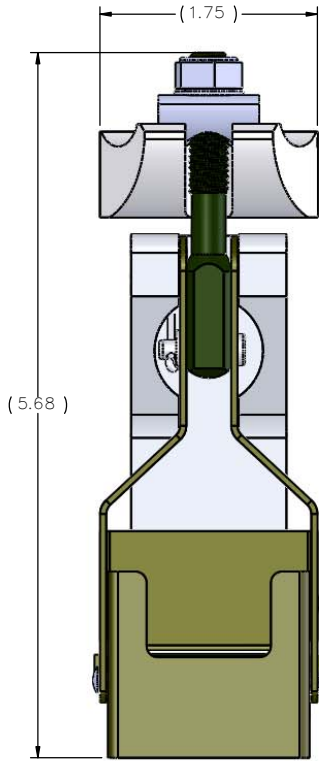


ITEM	PART NO.	DESCRIPTION	QTY.
-	B-901-12472-00	LATCH ASSY	-
1	A-904-12472-03	BASE, RADIUS	1
2	A-921-12333-15	HANDLE AND TRIGGER S/A	1
3	A-917-12333-16	BOLT AND BARREL S/A	1
4	12333-06	CLEVIS PIN	1
5	A-921-12333-17	FLAT WASHER	1
6	A-911-12333-18	COTTER PIN	1
7	A-904-12333-10	STRIKE	1



5. WELD PROCESS IS CRITIQUE. SHOULD BE MIG WELDED WITH MINIMUM HEAT TO REDUSE TENSILE LOSS.
4. CUSTOMER CONTROLLED TO DRAWING 13391511.
3. BASE 12472-03 IS SUPPLIED AS 6061-T6 TEMPERED ALUMINUM.
2. ITEMS ④ AND ⑤ TO BE COMMERCIALY PURCHASED.
1. ASSEMBLY TO PULL 1500 LBS, AND REMAIN FUNCTIONAL.

NOTES

REMOVE ALL BURRS & SHARP EDGES.  
 ALL DIMENSIONS ARE IN INCHES  
 UNLESS OTHERWISE NOTED.  
 TOLERANCES (EXCEPT AS NOTED)  
 TWO PLACE DECIMALS ±.01  
 THREE PLACE DECIMALS ±.003  
 FRACTIONS ±.015  
 SURFACE ROUGHNESS 63  
 ANGLES ±5°

DRWN	BDS	DATE	A			RELEASED FOR PRODUCTION			BDS	CDY	11/10
CK'D	CDY	11/10	LTR			REVISION			BY	APVD	DATE
APVD	CDY	11/10	TITLE								
SCALE: 1:1			Nielsen Sessions			LATCH ASSY					
UNSN NO			MATL: ~			CAGE NO	SIZE	ID CODE	DWG NO	REV	
~ ~			~ ~			1RRL5	B	901	12472-00	A	