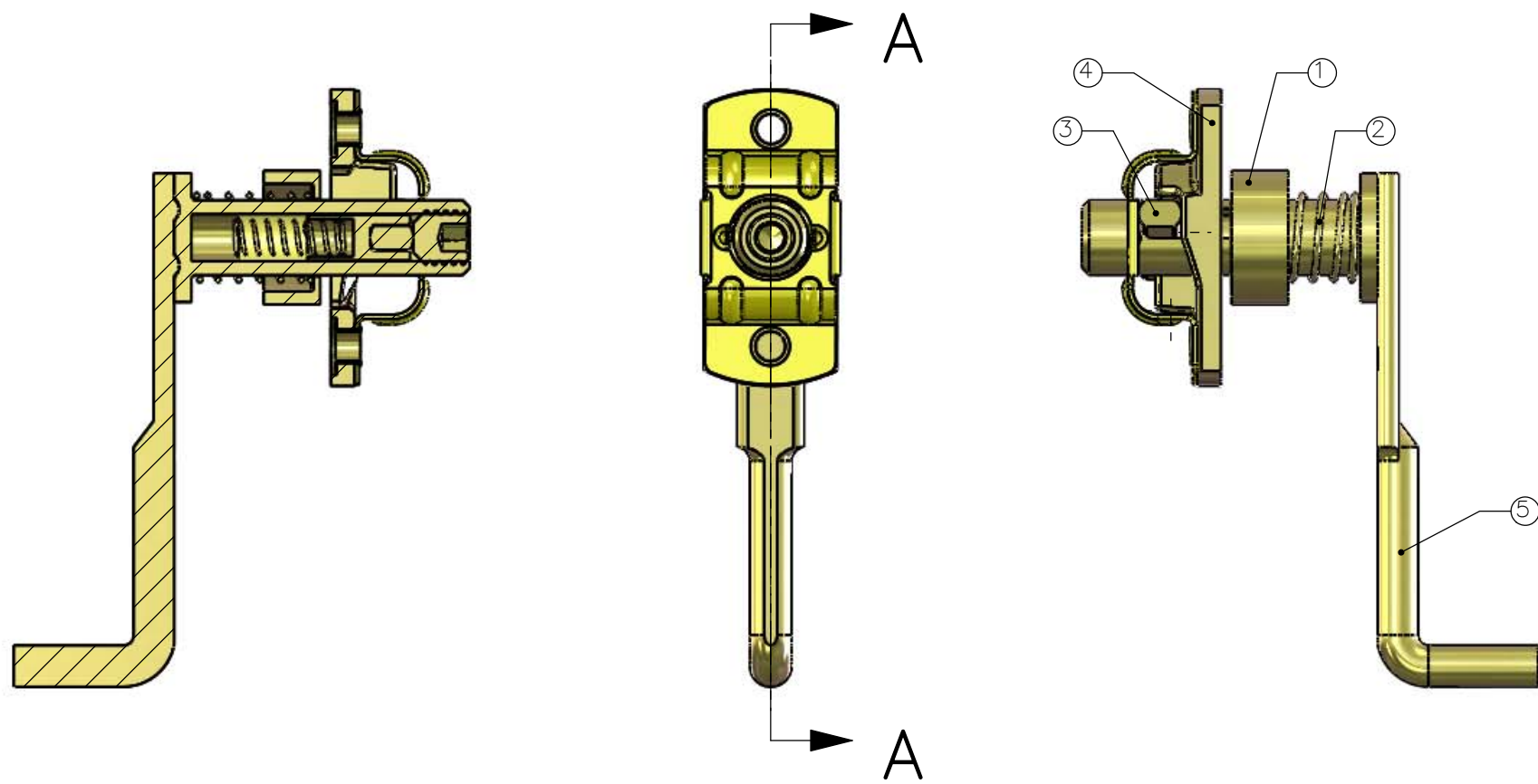
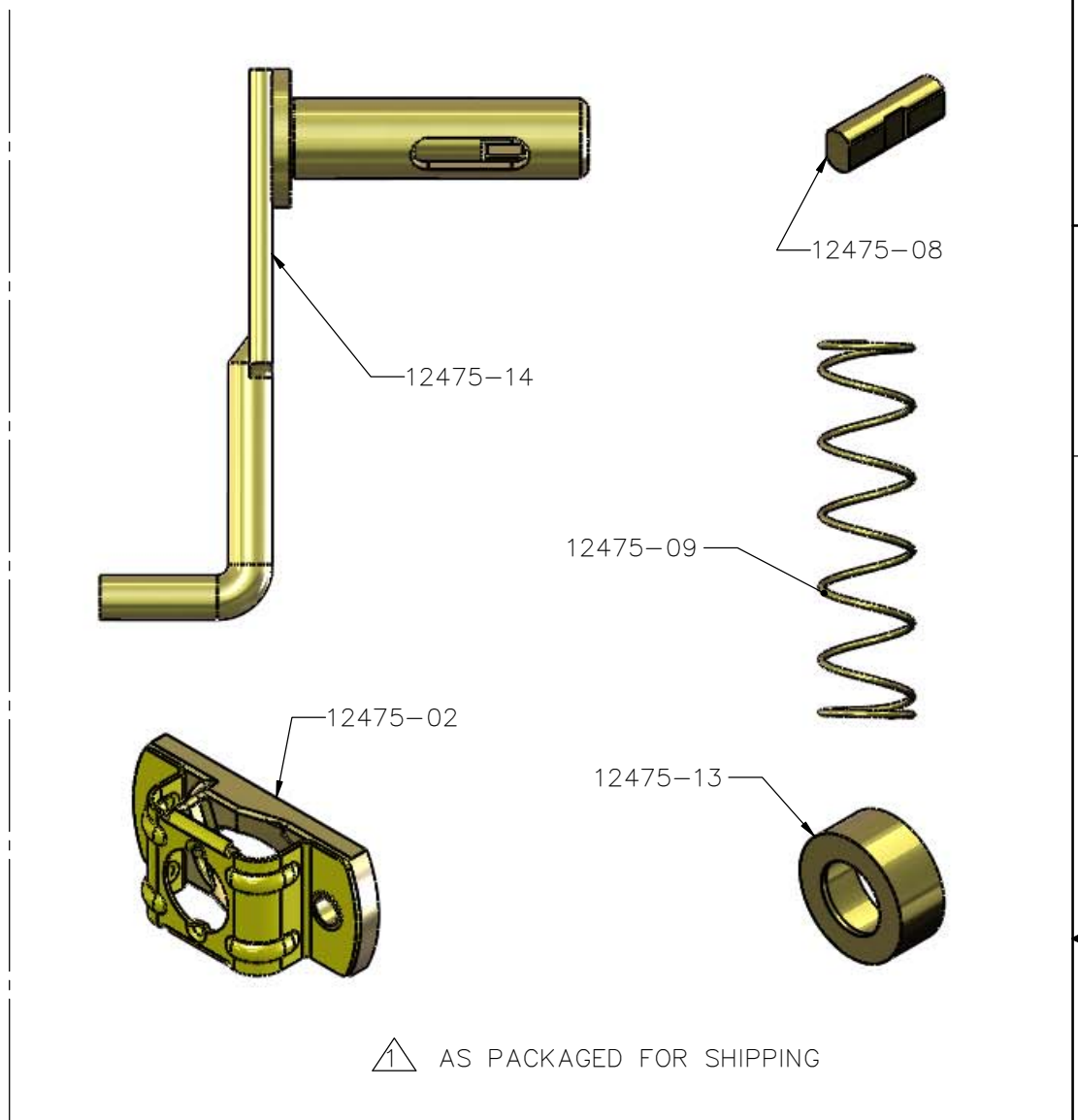


ITEM NO.	PART NUMBER	DESCRIPTION	QTY
	A-917-12475-00	PANEL FASTENER ASSEMBLY	X
1	A-914-12475-13	SPRING CUP	1
2	A-910-12475-09	SPRING	1
3	A-911-12475-08	CROSS PIN	1
4	A-917-12475-02	RECEPTACLE ASSY	1
5	A-917-12475-14	STUD ASSEMBLY	1



SECTION A-A



△ AS PACKAGED FOR SHIPPING

- ④ MATERIAL AND FINISH: SEE COMPONENT DRAWINGS FOR SPECS.
- ③ APPLY LOCTITE 220 TO THREADED PORTION OF STUD ONLY.
- ② MILITARY PART NUMBER P5591-024.
- ① DO NOT ASSEMBLE RETAINER ASSY TO PANEL FASTENER ASSY. ALSO DO NOT ASSEMBLE CROSS PIN INTO CROSS PIN RETAINER.

NOTES:

REMOVE ALL BURRS & SHARP EDGES. ALL DIMENSIONS ARE IN INCHES UNLESS OTHERWISE NOTED.
 TOLERANCES (EXCEPT AS NOTED)
 TWO PLACE DECIMALS ±.01
 THREE PLACE DECIMALS ±.005
 FRACTIONS ±.015
 SURFACE ROUGHNESS 63√ ±5'
 ANGLES

DRWN	BDS	DATE
CK'D	ASV	06/13
APVD	ASV	09/13
SCALE: 1:1		



UNS NO. ~
 MATL: ~
 FINISH: ~

A	RELEASED FOR PRODUCTION	BDS	ASV	09/13
LTR	REVISION	BY	APVD	DATE
TITLE PANEL FASTENER ASSY				
CAGE NO.	SIZE	ID CODE	DWG NO.	REV
1RRL5	B	917	12475-00	A