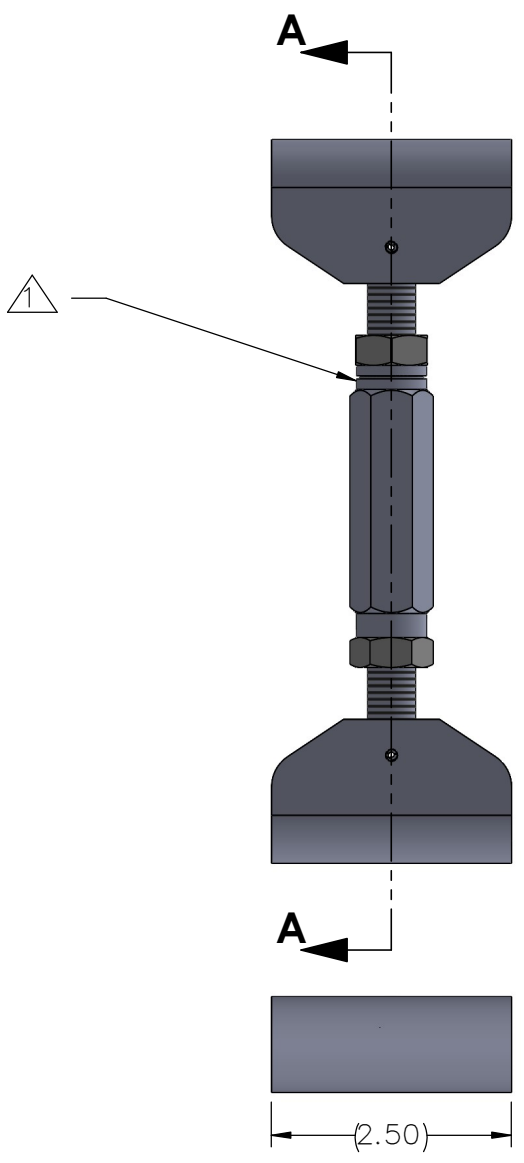
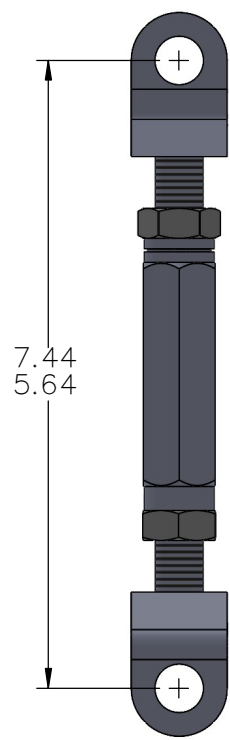
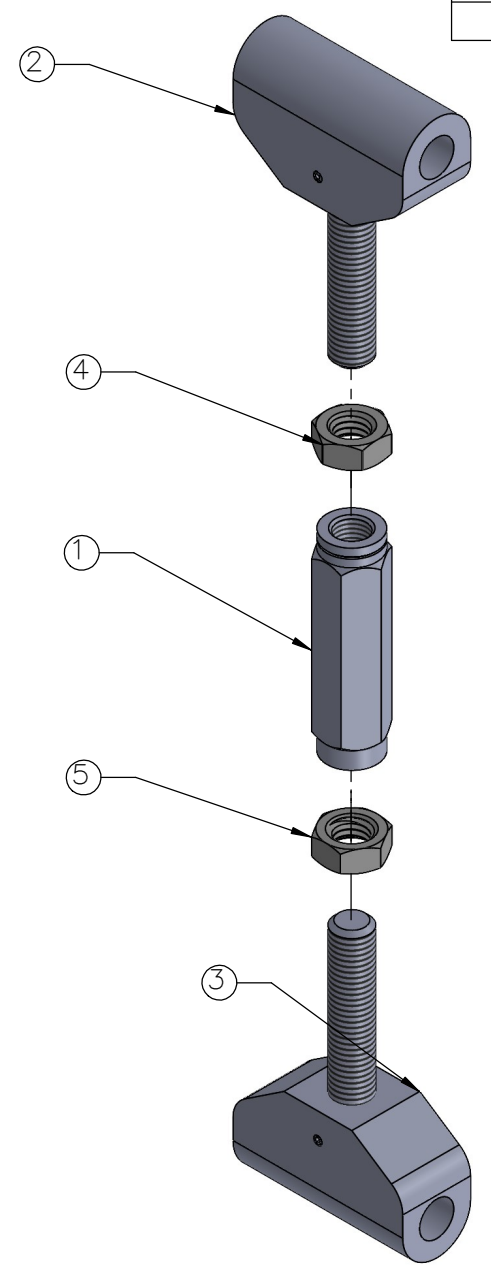


ITEM	PART NUMBER	DESCRIPTION	QTY.
-	12483-00	TURNBUCKLE ASSY	X
1	12483-01-01	TURNBUCKLE CENTER	1
2	12483-07	LH PIVOT ASSY	1
3	12483-06	RH PIVOT ASSY	1
4	12483-09	LEFT-HAND THREADED GRADE 5 STEEL THIN HEX NUT	1
5	12483-10	MEDIUM-STRENGTH STEEL THIN HEX NUT	1

USED ON



SECTION A-A



NOTES:

⚠ NOTCHED END INDICATEDS LEFT HANDED THREAD. TURNBUCKLE SHOULD BE ASSEMBLED WITH THIS END UP WHEN CONNECTED TO CRADLE.

REMOVE ALL BURRS & SHARP EDGES. ALL DIMENSIONS ARE IN INCHES UNLESS OTHERWISE NOTED.

TOLERANCES (EXCEPT AS NOTED)

TWO PLACE DECIMALS ±.01
THREE PLACE DECIMALS ±.005
FRACTIONS ±.015

SURFACE ROUGHNESS 63√
ANGLES ±5°

DRWN	TJM	DATE
CK'D	VC	11/23
APVD	VC	11/23



A	ECN 20485; SEE ECN SHEET FOR CHANGES	TJM	VC	11/23
LTR	REVISION	BY	APVD	DATE
TITLE ADJUSTABLE TURNBUCKLE ASSY				
UNS NO.	MATL: SEE COMPONENT LEVELS	CAGE NO.	SIZE	ID CODE
SCALE: 1:2	FINISH: SEE COMPONENT LEVELS	1RRL5	B	
DWG NO. 12483-00			REV A	