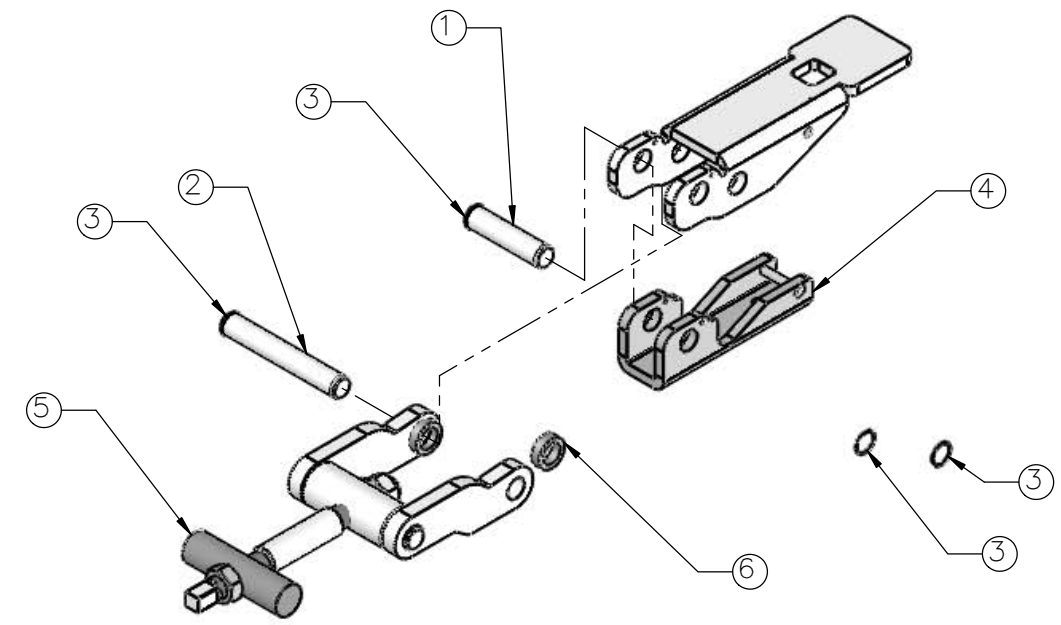
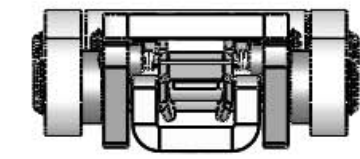
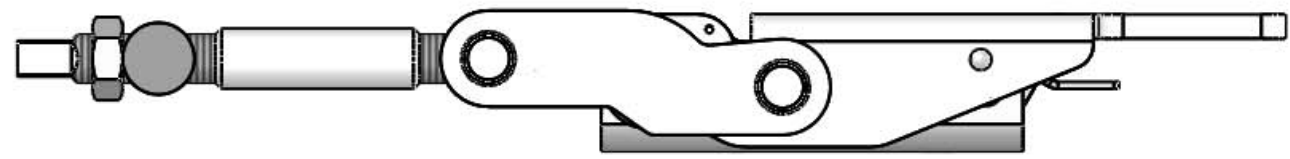
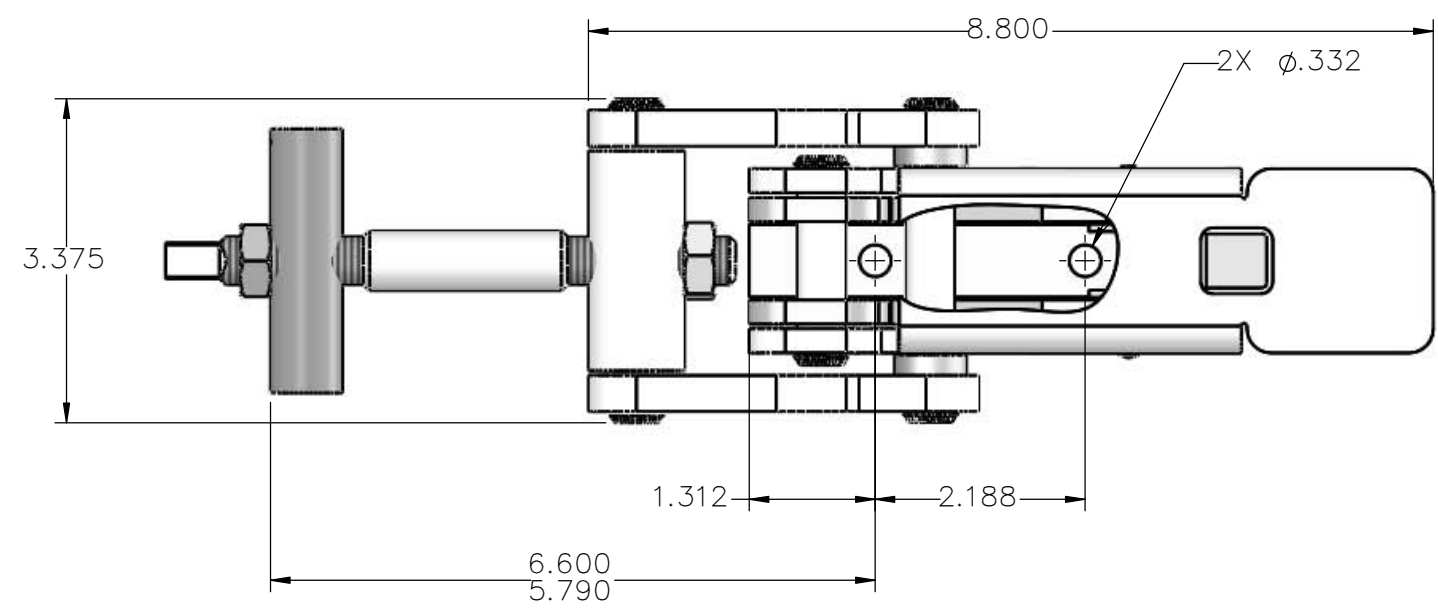


ITEM NO.	PART NUMBER	DESCRIPTION	QTY.
-	12493-00	HEAVY DUTY LATCH	X
1	12493-15-02	PIN, LEVER	1
2	12493-16-02	PIN-BASE	1
3	12493-24	1/2" SPIRAL RETAINING RING	4
4	12493-10	BASE/PIN SUB ASSEMBLY	1
5	12493-12	DRAW BAR SUB/ASSEMBLY	1
6	12493-23-02	BUSHING, LINK	2
7	12493-11	LEVER/FLIPPER SUB ASSEMBLY	1

USED ON
---------



SCALE 1 : 4



B	ECN 20151; SEE ECN SH FOR CHANGES(PRELIM)	BDS	RH	01/16
A	ECN 20132; PRELIMINARY	BDS	RH	09/15
LTR	REVISION	BY	APVD	DATE

REMOVE ALL BURRS & SHARP EDGES.  
ALL DIMENSIONS ARE IN INCHES  
UNLESS OTHERWISE NOTED.

TOLERANCES (EXCEPT AS NOTED)  
TWO PLACE DECIMALS ±.01  
THREE PLACE DECIMALS ±.005  
FRACTIONS ±.015  
SURFACE ROUGHNESS 63  
ANGLES ±5°

DRWN	BDS	DATE
CK'D	RH	09/15
APVD	RH	09/15

**Nielsen**  
ENGINEERED HARDWARE SOLUTIONS

SCALE: 1:2	UNS NO. ~	MATL: ~	CAGE NO. 1RRL5	SIZE B	ID CODE ~	DWG NO. 12493-00	REV B
	~	FINISH: ~					