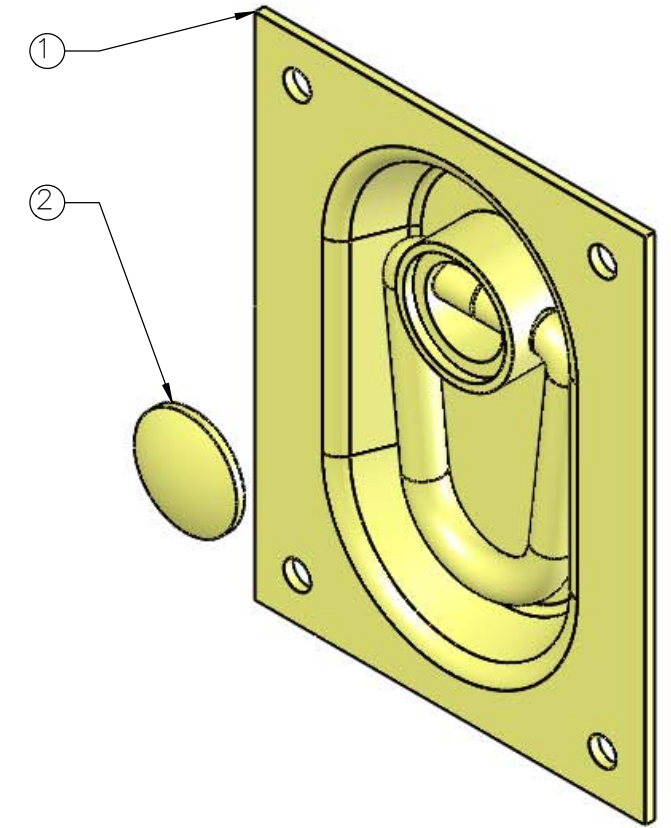
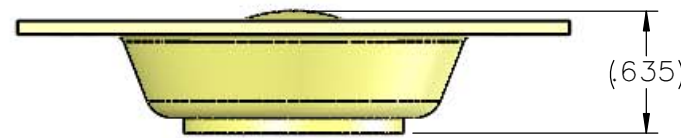
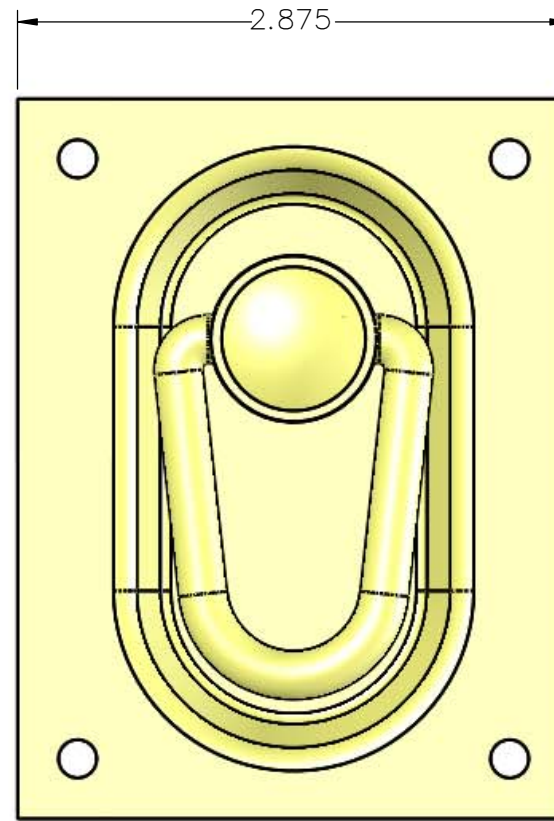
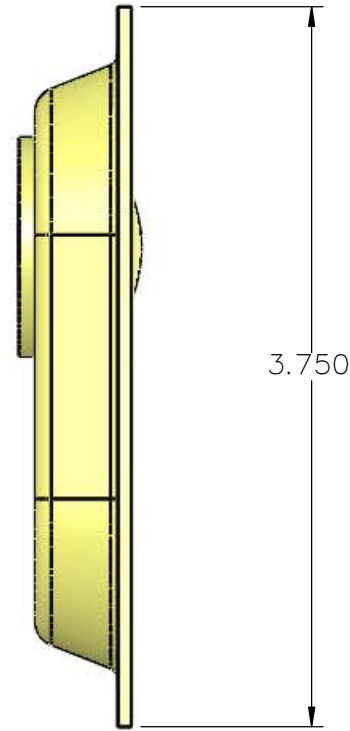


ITEM	PART NUMBER	DESCRIPTION	QTY.	FINISH
-	12503-10	LIFT PLATE ASSEMBLY	X	
1	12503-10-02	LIFT PLATE ASSEMBLY W/O BUTTON	1	
2	12503-03-01	BUTTON	1	



NOTES:

- CONTROL PRINT 3398AS112 REV A.
- FINISH: ZINC/YELLOW PER ASTM B633, TYPE VI, CLASS FE/ZN 8.
- USE TOOL NUMBER TB-1432-00 TO ASSEMBLE 12503-03-01 TO 12503-10-02.

REMOVE ALL BURRS & SHARP EDGES.  
ALL DIMENSIONS ARE IN INCHES  
UNLESS OTHERWISE NOTED.

TOLERANCES (EXCEPT AS NOTED)  
TWO PLACE DECIMALS ±.01  
THREE PLACE DECIMALS ±.005  
FRACTIONS ±.015

SURFACE ROUGHNESS 63√  
ANGLES ±5°

DRWN	TJM	DATE
CK'D	~	09/18
APVD	~	~



SCALE: 1:1

UNS NO. ~  
MATL: ~  
FINISH: SEE TABLE

A	ECN 12503-10; SEE ECN SHEET FOR CHANGES	TJM	.	.
LTR	REVISION	BY	APVD	DATE
TITLE LIFT PLATE ASSEMBLY				
CAGE NO.	SIZE	ID CODE	DWG NO.	REV
1RRL5	B	~	12503-10	A