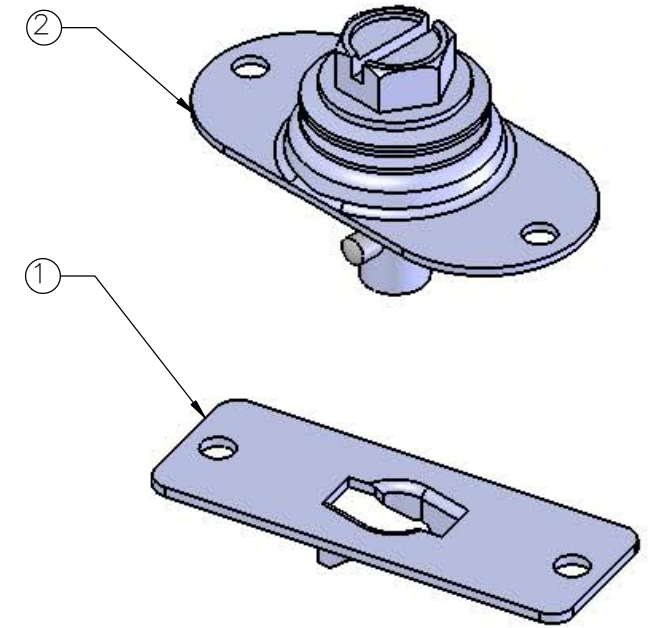
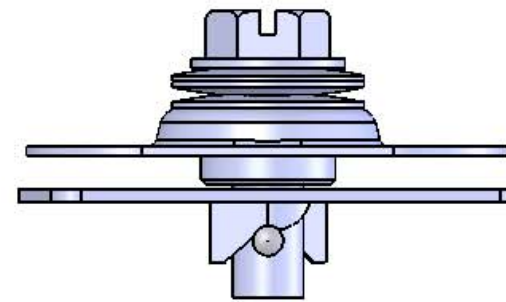
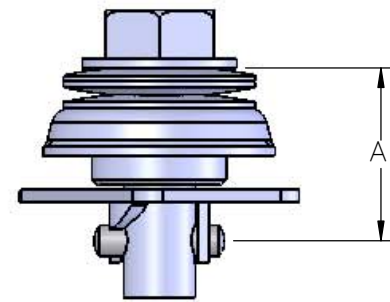
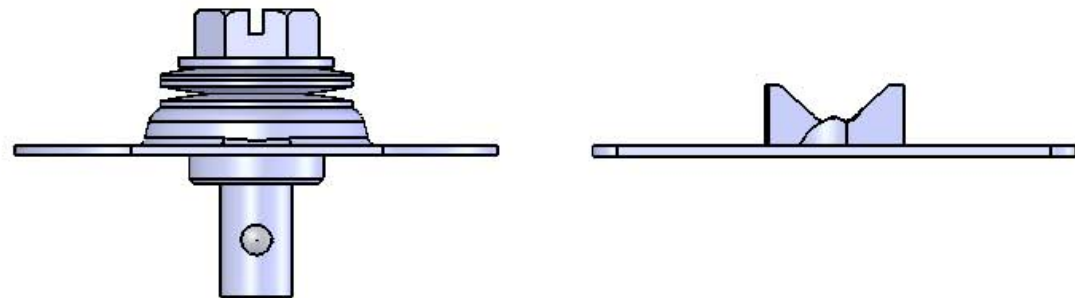


PART NUMBER	CONTROL PRINT NUMBER	NSN	FINISH	"A"
12510-00	17D064-8	5324-01-515-8802		.90
12511-00	---	---		1.00



NOTES:

FINISH: CLEAR PASSIVATE PER QQ-P-35, TYPE II.



SHIPPED AS A KIT.

REMOVE ALL BURRS & SHARP EDGES.  
ALL DIMENSIONS ARE IN INCHES  
UNLESS OTHERWISE NOTED.

TOLERANCES (EXCEPT AS NOTED)  
TWO PLACE DECIMALS ±.01  
THREE PLACE DECIMALS ±.005  
FRACTIONS ±.015

SURFACE ROUGHNESS 63   
ANGLES ±5°

DRWN	TJM	DATE
CK'D	~	11/18
APVD	~	~



A	ECN 20312; SEE ECN SHEET FOR CHANGES	TJM	.	.
LTR	REVISION	BY	APVD	DATE
TITLE QUARTER TURN W/ RECEPTACLE				

SCALE: 1:1	UNS NO. ~~	MATL: ~~~	CAGE NO. 1RRL5	SIZE B	ID CODE ~~	DWG NO. 12510,12511	REV A
------------	---------------	-----------	-------------------	-----------	---------------	------------------------	----------