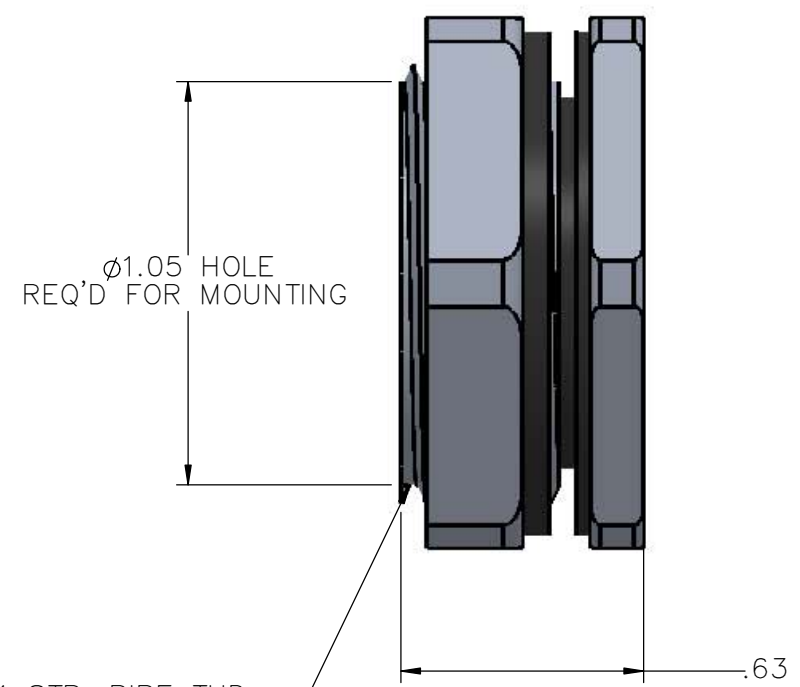
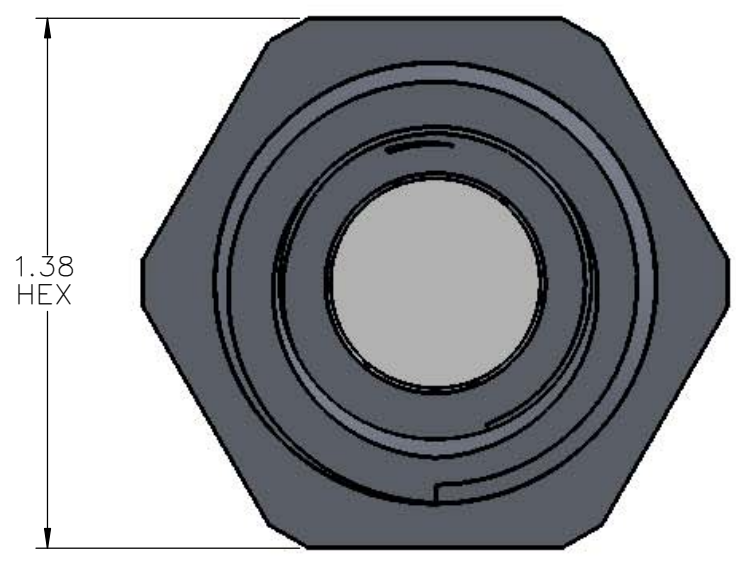


USED ON
---------

ITEM	PART NUMBER	DESCRIPTION	QTY.	FINISH
-	12512-00	SIGHT GLASS	X	⚠
1	12512-08-01	HOUSING	1	⚠
2	12512-01	WASHER, SMALL	1	
3	12512-02	WASHER, LG	1	
4	12512-03	WASHER, LG	1	
5	12512-04	O-RING	1	
6	12512-05-01	NUT	1	⚠
7	12512-06-01	LOCKSCREW	1	⚠
8	12512-07	WINDOW	1	
9	12512-09	WASHER	1	



3/4-14 STR. PIPE THD  
IAW PPP-P-420, CL. D

NOTES:

- ⚠ CLEAR ANODIZED IAW MIL-A-8625, TYPE II, CLASS 1.
- ⚠ CONTROL PRINT 11553702.

REMOVE ALL BURRS & SHARP EDGES.  
ALL DIMENSIONS ARE IN INCHES  
UNLESS OTHERWISE NOTED.

TOLERANCES (EXCEPT AS NOTED)  
TWO PLACE DECIMALS ±.01  
THREE PLACE DECIMALS ±.005  
FRACTIONS ±.015  
SURFACE ROUGHNESS 63√ ±5°  
ANGLES

DRWN		DATE	
CK'D	~	~	~
APVD	~	~	~



SCALE: 2:1

UNSN.	MATL:
	FINISH:

A	ECN 20267; SEE ECN SHEET FOR CHANGES	TJM	.	.
LTR	REVISION	BY	APVD	DATE
TITLE <b>SIGHT GLASS</b>				
CAGE NO.	SIZE	ID CODE	DWG NO.	REV
1RRL5	B		12512-00	A