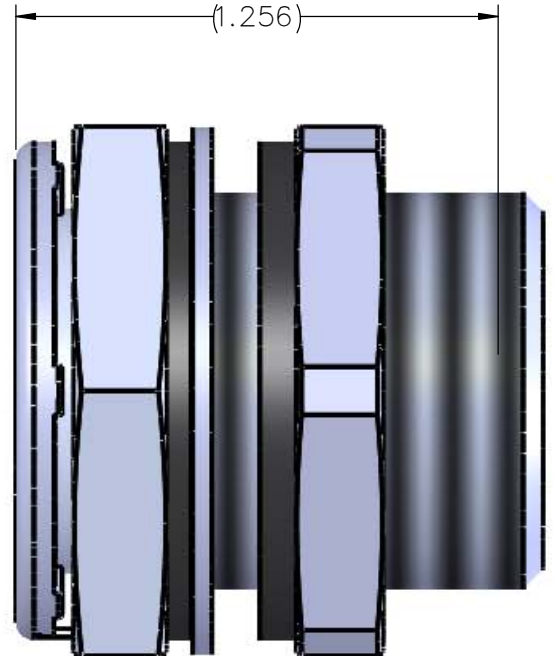
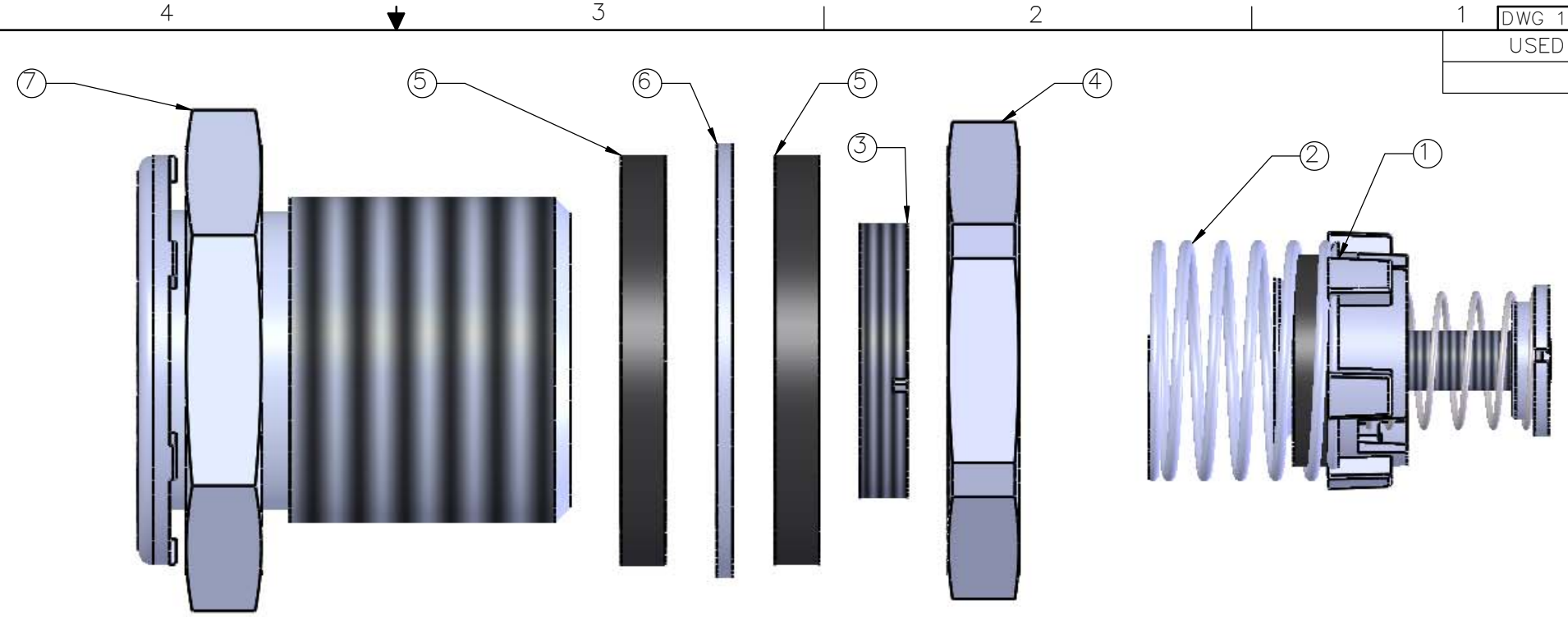


ITEM	PART NUMBER	DESCRIPTION	QTY.
-	12513-00	BREATHER VALVE ASSEMBLY	X
1	12513-12	POPPET ASSEMBLY	1
2	12513-10	SPRING, POPPET GUIDE	1
3	12513-09	SPRING SEAT	1
4	12513-14	NUT	1
5	12513-15	MOUNTING GASKET	2
6	12513-16	MOUNTING WASHER	1
7	12513-17	CAP ASSEMBLY	1

DWG 12513-00
USED ON



REMOVE ALL BURRS & SHARP EDGES.
ALL DIMENSIONS ARE IN INCHES
UNLESS OTHERWISE NOTED.

TOLERANCES (EXCEPT AS NOTED)
TWO PLACE DECIMALS ±.01
THREE PLACE DECIMALS ±.005
FRACTIONS ±.015

SURFACE ROUGHNESS 63
ANGLES ±5°

DRWN	BDS	DATE
CK'D	~	09/18
APVD	~	~



A	ECN 20218; SEE ECN SHEET FOR CHANGES	TJM	.	.
LTR	REVISION	BY	APVD	DATE
TITLE BREATHER VALVE ASSEMBLY				

SCALE: 2:1	UNS NO. ~ ~	MATL: ~ FINISH: ~ ~	CAGE NO. 1RRL5	SIZE B	ID CODE ~ ~	DWG NO. 12513-00	REV A
------------	----------------	------------------------	-------------------	-----------	----------------	---------------------	----------