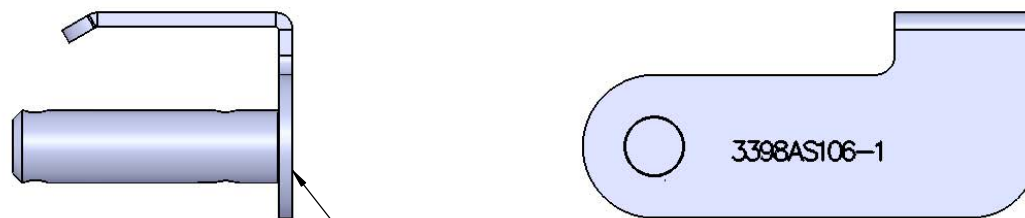
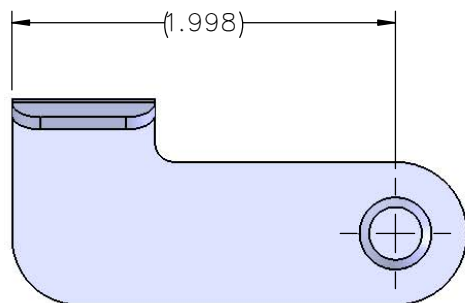
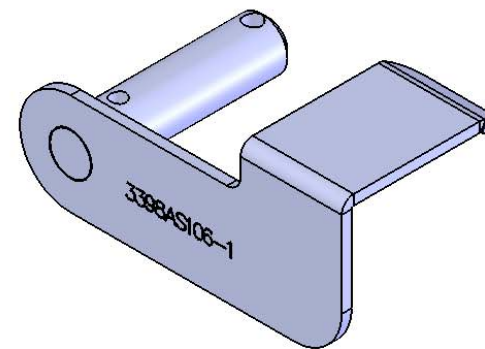
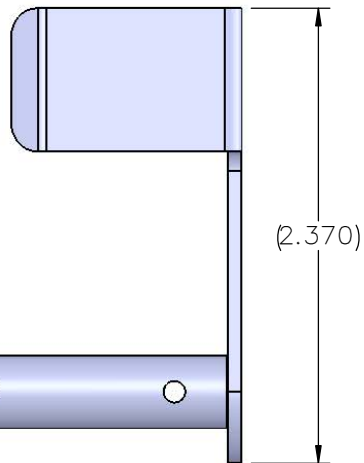


ITEM	PART NUMBER	DESCRIPTION	QTY.
-	12514-00	QUARTER TURN RIGHT HAND	X
1	12514-01	LEVER	1
2	12514-02	PIN	1



WELD TOGETHER THIS SIDE ONLY

REMOVE ALL BURRS & SHARP EDGES.
ALL DIMENSIONS ARE IN INCHES
UNLESS OTHERWISE NOTED

TOLERANCES (EXCEPT AS NOTED)
TWO PLACE DECIMALS ±.01
THREE PLACE DECIMALS ±.005
FRACTIONS ±.015
SURFACE ROUGHNESS 63√
ANGLES ±5°

DRWN	TJM	DATE
CK'D	~	11/18
APVD	~	~

Nielsen
ENGINEERED HARDWARE SOLUTIONS

SCALE: 1:1

UNS NO. ~ ~
MATL: 300 SERIES SS
FINISH: ~ ~

A	ECN 20315; SEE ECN SHEET FOR CHANGES	TJM	.	.
LTR	REVISION	BY	APVD	DATE
TITLE				
QUARTER TURN RIGHT HAND				
CAGE NO.	SIZE	ID CODE	DWG NO.	REV
1RRL5	A	~ ~	12514-00	A