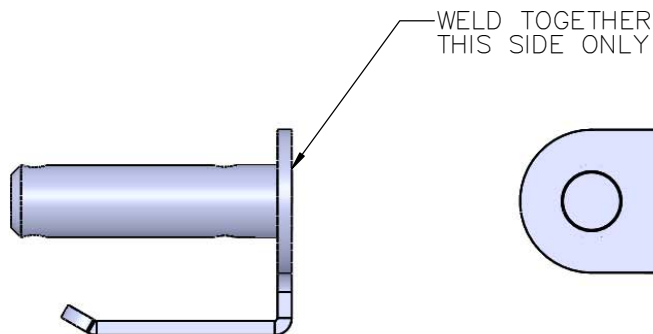
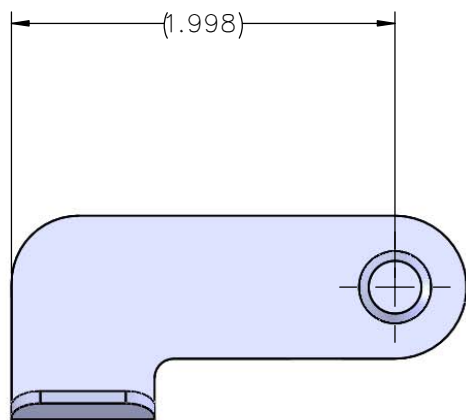
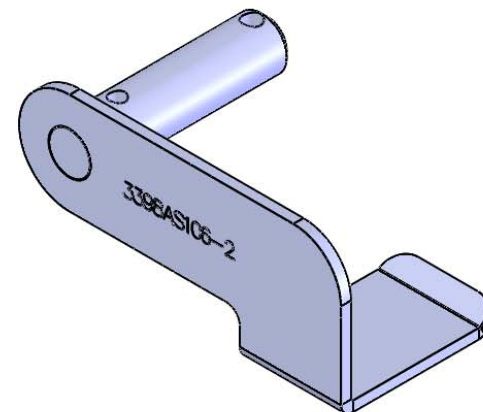
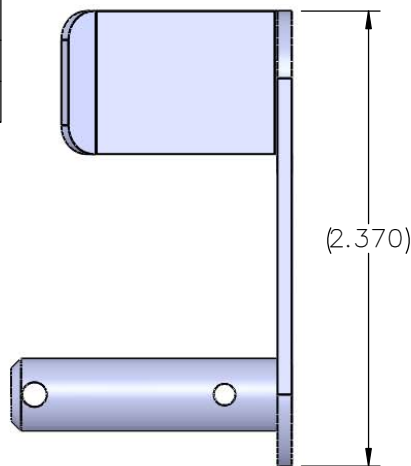


ITEM	PART NUMBER	DESCRIPTION	QTY.
-	12515-00	QUARTER TURN RIGHT HAND	X
1	12515-01	LEVER	1
2	12514-02	PIN	1



REMOVE ALL BURRS & SHARP EDGES.  
ALL DIMENSIONS ARE IN INCHES  
UNLESS OTHERWISE NOTED

TOLERANCES (EXCEPT AS NOTED)  
TWO PLACE DECIMALS ±.01  
THREE PLACE DECIMALS ±.005  
FRACTIONS ±.015  
SURFACE ROUGHNESS 63√  
ANGLES ±5°

DRWN	TJM	DATE
CK'D	~	~
APVD	~	~



SCALE: 1:1

UNS NO. ~ ~  
MATL: 300 SERIES SS  
FINISH: ~ ~

A	ECN 20316; SEE ECN SHEET FOR CHANGES	TJM	.	.
LTR	REVISION	BY	APVD	DATE
TITLE QUARTER TURN LEFT HAND				
CAGE NO.	SIZE	ID CODE	DWG NO.	REV
1RRL5	A	~ ~	12515-00	A