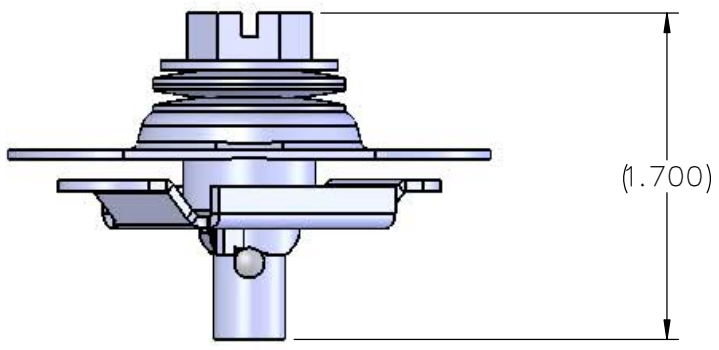
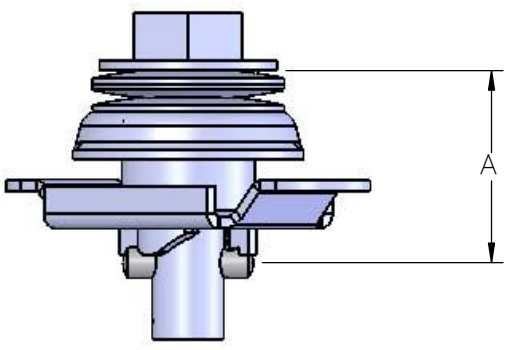
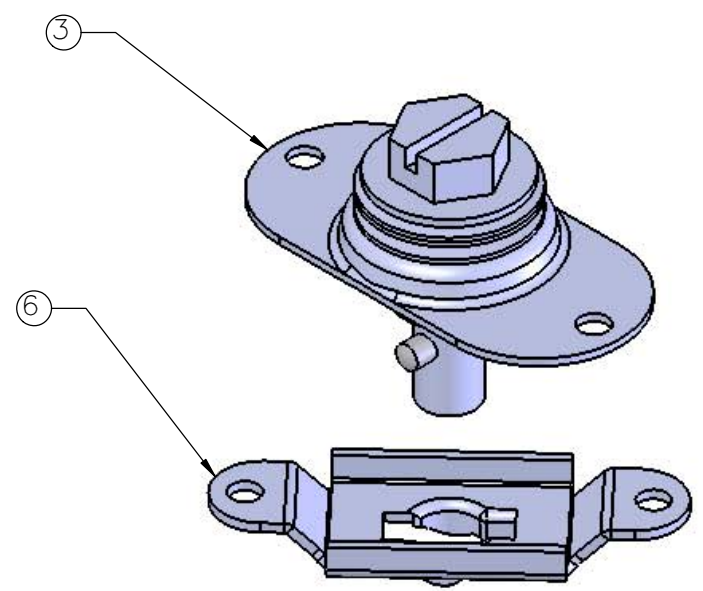
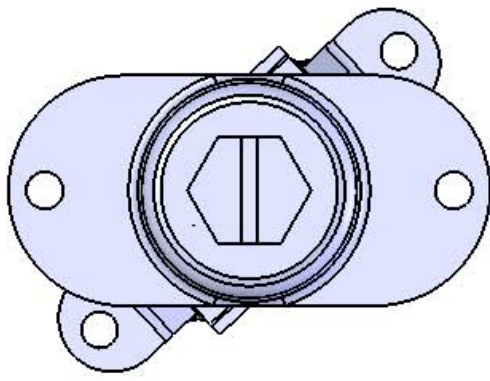
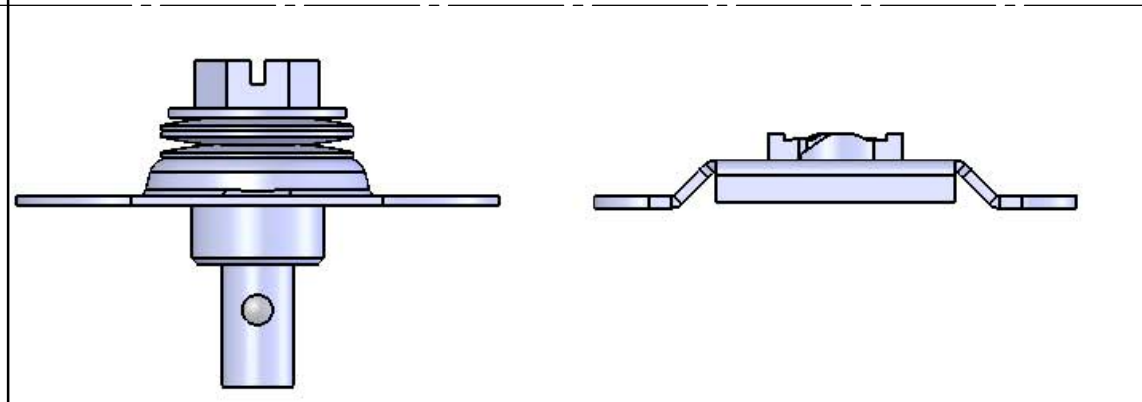


PART NUMBER	CONTROL PRINT NUMBER	NSN	FINISH	"A"
12516-00-00	17C012-1	5325-00-420-6128		1.00
12516-00-01	---	---		1.00
12517-00-00	17C012-2	5325-00-420-6127		1.09
12517-00-01	---	---		1.09



NOTES:

- FINISH: CAD/YELLOW PER AMS-QQ-P-416, TYPE II, CLASS 1.
- FINISH: ZINC NICKLE YELLOW PER ASTM B841 CLASS 1, TYPE B, GRADE 10.



SHIPPED AS A KIT.

REMOVE ALL BURRS & SHARP EDGES.
ALL DIMENSIONS ARE IN INCHES
UNLESS OTHERWISE NOTED.

TOLERANCES (EXCEPT AS NOTED)
TWO PLACE DECIMALS ±.01
THREE PLACE DECIMALS ±.005
FRACTIONS ±.015

SURFACE ROUGHNESS 63√ ±5"
ANGLES

DRWN	TJM	DATE
CK'D	~	12/18
APVD	~	~



A	ECN 20319; SEE ECN SHEET FOR CHANGES	TJM	.	.
LTR	REVISION	BY	APVD	DATE
TITLE QUARTER TURN W/ RECEPTACLE				
SCALE: 1:1	UNS NO. ~	MATL: ~	CAGE NO. 1RRL5	SIZE B
		FINISH: SEE NOTES	ID CODE ~	DWG NO. 12516,12517
			REV A	