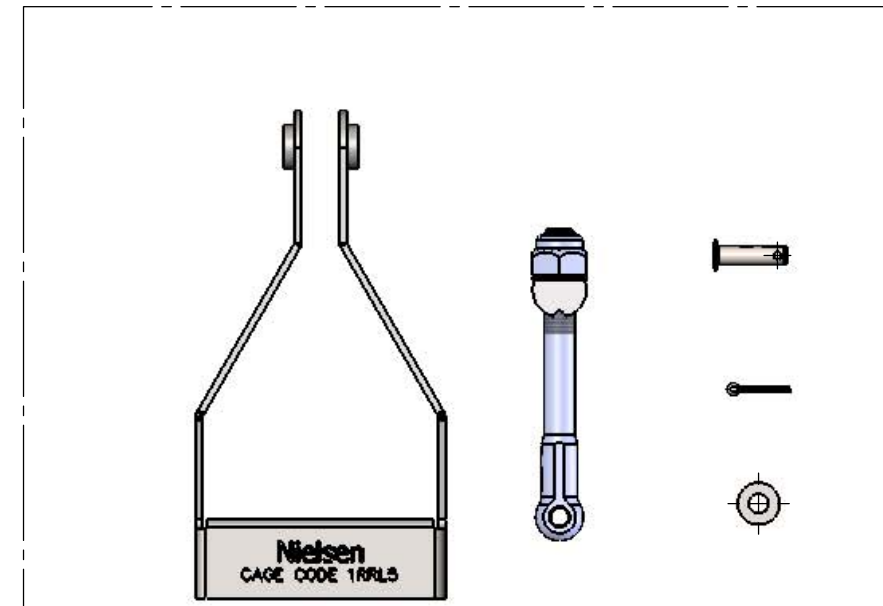
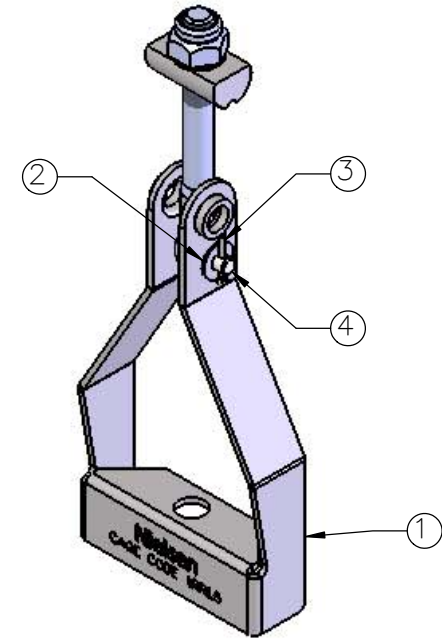
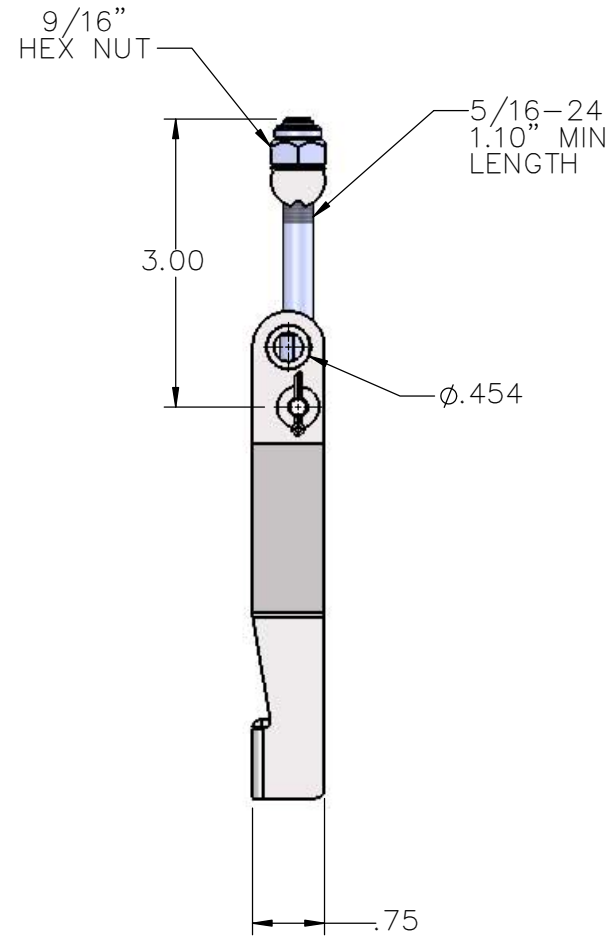
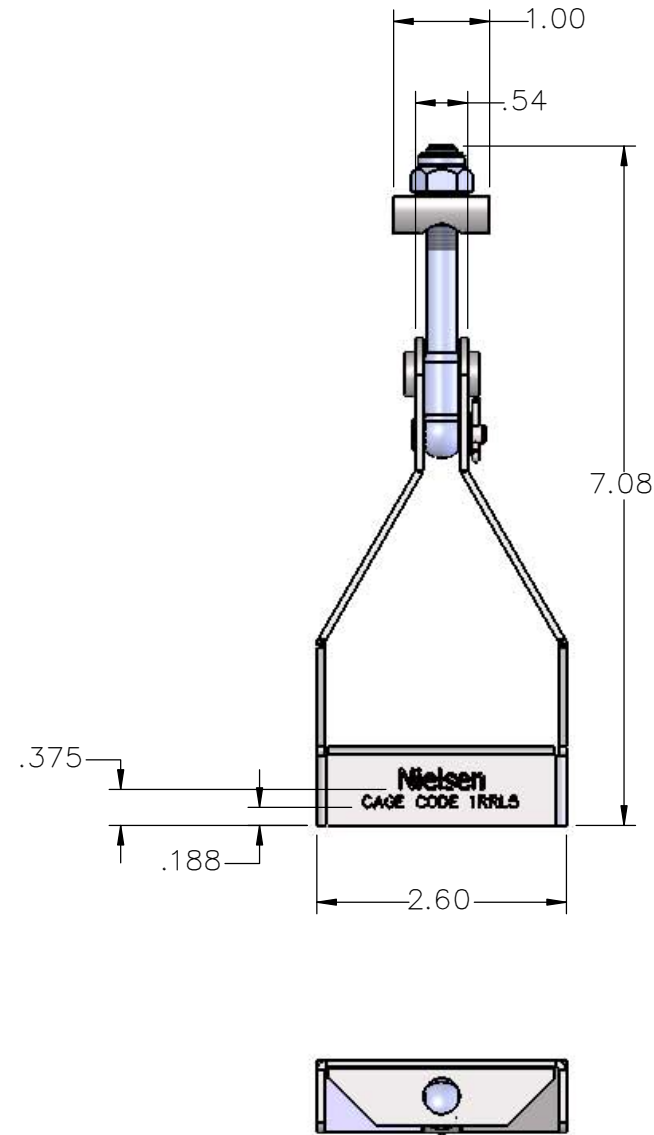


ITEM	PART NUMBER	DESCRIPTION	QTY.	FINISH
-	12600-00-00	SS LATCH 3" BOLT	X	②
1	12600-01-01	LEVER SS	1	②
2	12600-09-01	SS WASHER, SMALL	1	②
3	12600-08-01	1/16 X 1/2 COTTER PIN, SS	1	②
4	12600-07-01	CLEVIS PIN	1	②
5	12600-23-00	BOLT/BARREL S/A	1	②



SHOWN AS A KIT. BAGGED AND LABELED.
 LABEL TO INCLUDE P/N
 AND CAGE CODE 1RRL5

- NOTES:
- ① CONTROL PRINT 6213873-2.
 - ② SHALL BE CLEANED, DESCALED, AND PASSIVATED PER ASTM A380 OR EQUIVALENT.

REMOVE ALL BURRS & SHARP EDGES.
 ALL DIMENSIONS ARE IN INCHES
 UNLESS OTHERWISE NOTED.

TOLERANCES (EXCEPT AS NOTED)

TWO PLACE DECIMALS	±.01
THREE PLACE DECIMALS	±.005
FRACTIONS	±.015
SURFACE ROUGHNESS	63 $\sqrt{\text{ }}$
ANGLES	±5°

DRWN	BDS	DATE
CK'D	RH	01/17
APVD	RH	01/17



SCALE: 1:2	UNS NO. ~	MATL: ~	CAGE NO. 1RRL5	SIZE B	ID CODE ~	DWG NO. 12600-00-00	REV B
------------	-----------	---------	----------------	--------	-----------	---------------------	-------

B	ECN 20247; SEE ECN SH FOR CHANGES	TJM	BDS	07/18
A	ECN 20189; RELEASED FOR PRODUCTION	BDS	RH	01/17
LTR	REVISION	BY	APVD	DATE

TITLE: SS LATCH KIT