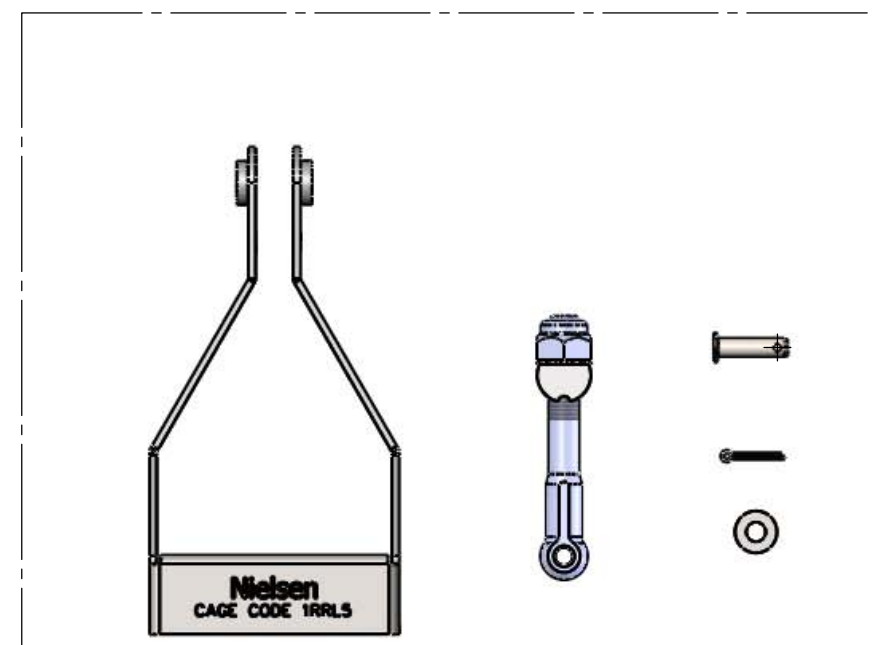
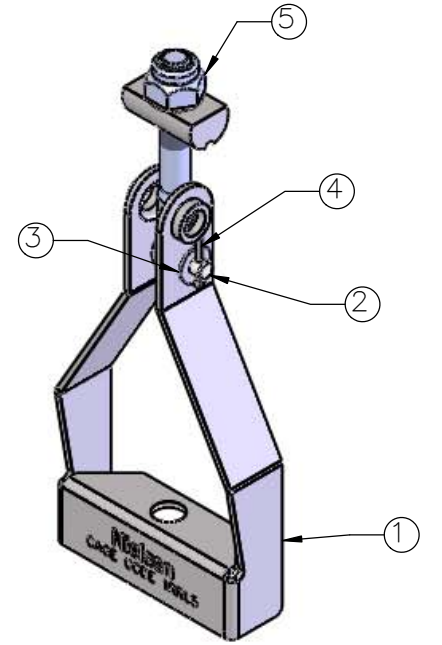
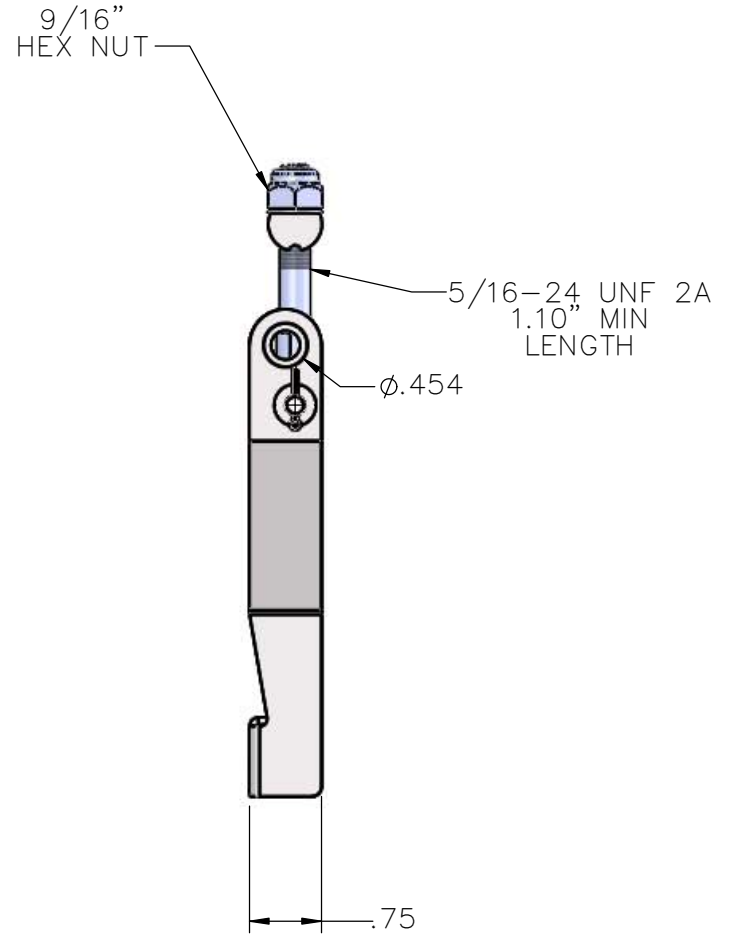
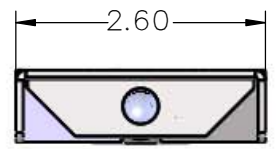
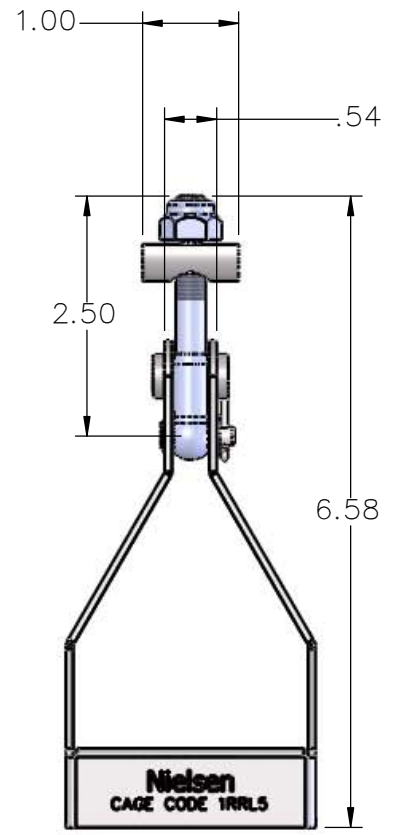


ITEM	PART NUMBER	DESCRIPTION	QTY.	FINISH
-	12600-00	SS LATCH 2.5" BOLT	X	②
1	12600-01-01	LEVER SS	1	②
2	12600-07-01	CLEVIS PIN	1	②
3	12600-09-01	SS WASHER, SMALL	1	②
4	12600-08-01	1/16 X 1/2 COTTER PIN, SS	1	②
5	12610-24-00	BOLT/BARREL S/A 2.50"	1	②

USED ON



SHOWN AS A KIT. BAGGED AND LABELED.
 LABEL TO INCLUDE P/N
 AND CAGE CODE 1RRL5

NOTES:

- ① CONTROL PRINT 6213873-1.
- ② SHALL BE CLEANED, DESCALED, AND PASSIVATED PER ASTM A380 OR EQUIVALENT.

REMOVE ALL BURRS & SHARP EDGES.
 ALL DIMENSIONS ARE IN INCHES
 UNLESS OTHERWISE NOTED.

TOLERANCES (EXCEPT AS NOTED)

TWO PLACE DECIMALS ±.01
 THREE PLACE DECIMALS ±.005
 FRACTIONS ±.015

SURFACE ROUGHNESS 63
 ANGLES ±5°

DRWN	TJM	DATE
CK'D	BDS	07/18
APVD	BDS	07/18



SCALE: 1:2

UNS NO. ~
 MATL: ~
 FINISH: ~

A	ECN 20242: RELEASED FOR PRODUCTION	TJM	BDS	07/18
LTR	REVISION	BY	APVD	DATE
TITLE				
SS LATCH KIT				
CAGE NO.	SIZE	ID CODE	DWG NO.	REV
1RRL5	B	~	12600-00	A