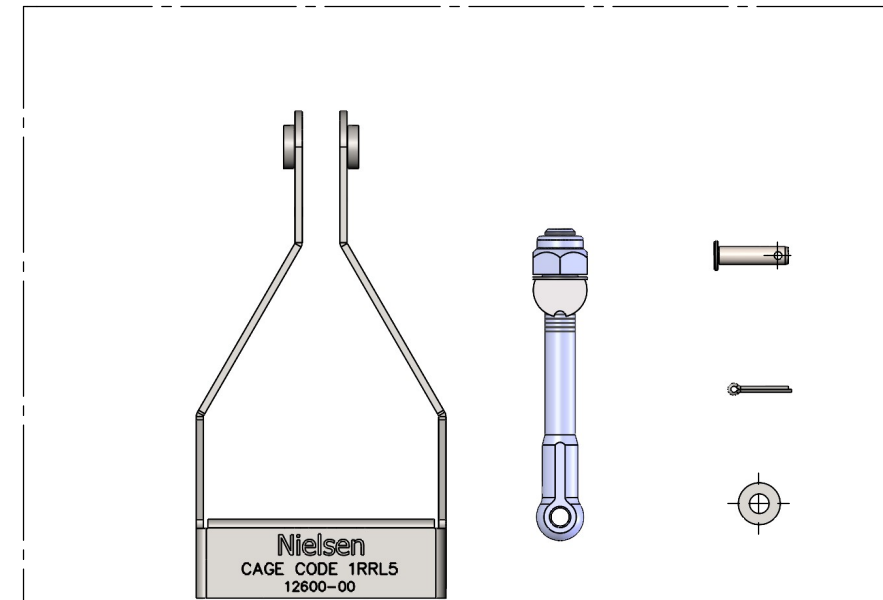
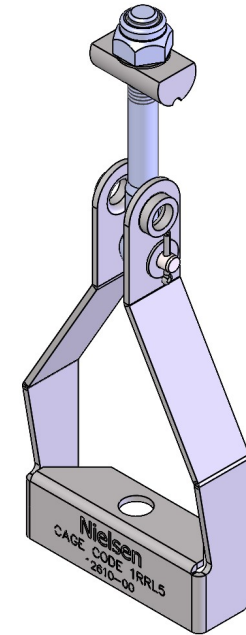
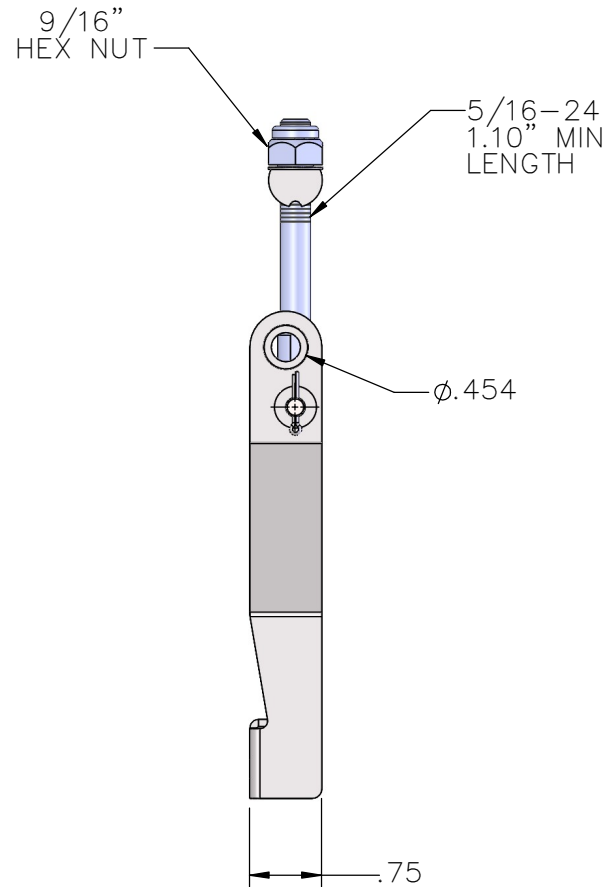
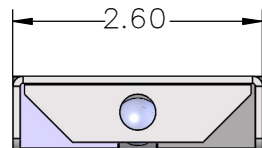
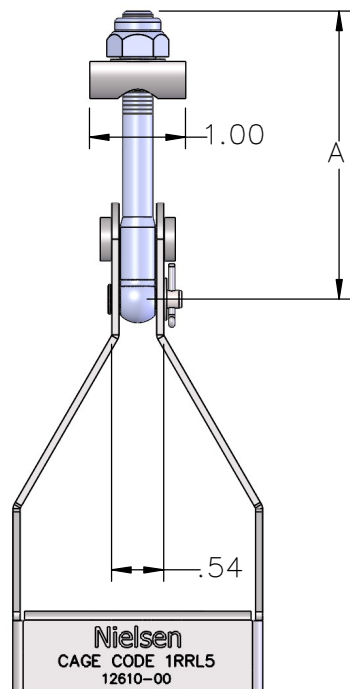


PART NUMBER	CONTROL PRINT NUMBER	NSN	"A"
12600-00	6213873-1	5340-01-519-0150	2.50"
12610-00	6213873-2	5340-01-465-5848	3.00"



SHOWN AS A KIT. BAGGED AND LABELED.
 LABEL TO INCLUDE P/N
 AND CAGE CODE 1RRL5

- NOTES:
- 1 CONTROL PRINT 6213873.
 - 2 SHALL BE CLEANED, DESCALED, AND PASSIVATED PER ASTM A380 OR EQUIVALENT.

REMOVE ALL BURRS & SHARP EDGES.
 ALL DIMENSIONS ARE IN INCHES
 UNLESS OTHERWISE NOTED.

TOLERANCES (EXCEPT AS NOTED)

TWO PLACE DECIMALS	±.01
THREE PLACE DECIMALS	±.005
FRACTIONS	±.015
SURFACE ROUGHNESS	63
ANGLES	±5°

DRWN	BDS	DATE	01/17
CK'D	RH	DATE	01/17
APVD	RH	DATE	01/17

Nielsen
 ENGINEERED HARDWARE SOLUTIONS

B	ECN 20247; SEE ECN SH FOR CHANGES	TJM	BDS	07/18
A	ECN 20189; RELEASED FOR PRODUCTION	BDS	RH	01/17
LTR	REVISION	BY	APVD	DATE
TITLE				
SS LATCH KIT				
UNS NO.	MATL: ~	CAGE NO.	SIZE	ID CODE
SCALE: 1:2	FINISH: ~	1RRL5	B	~
		DWG NO.	REV	
		12600-00,12610-00	B	