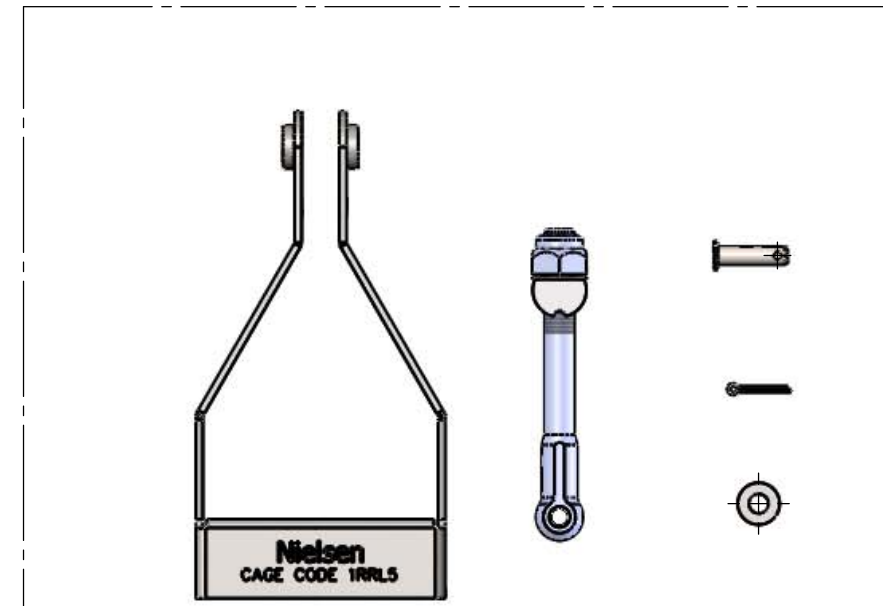
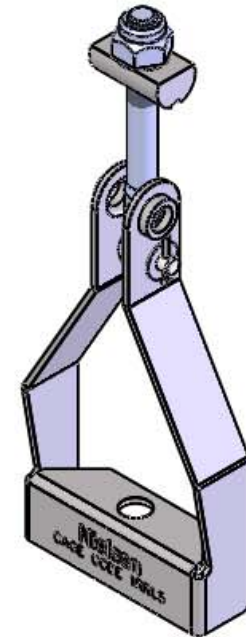
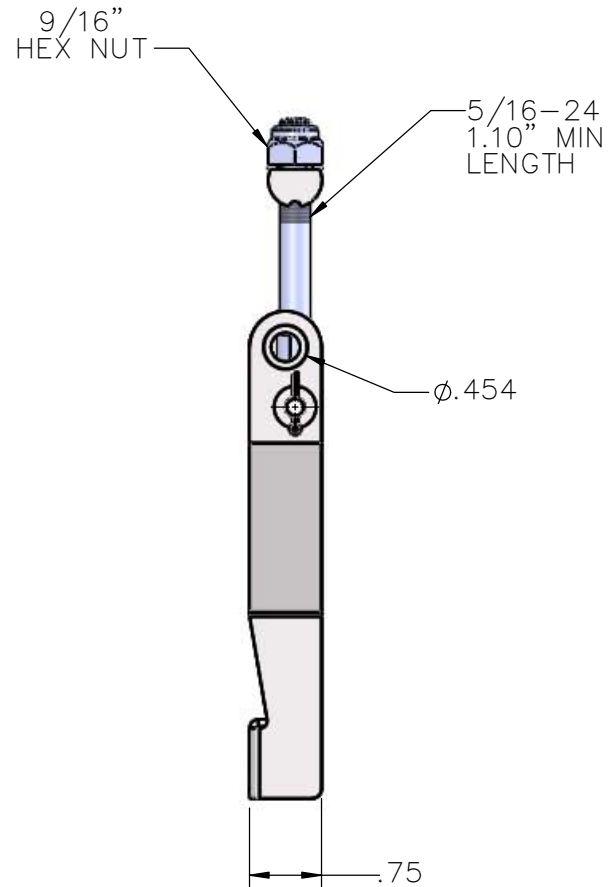
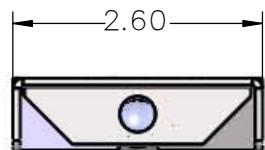
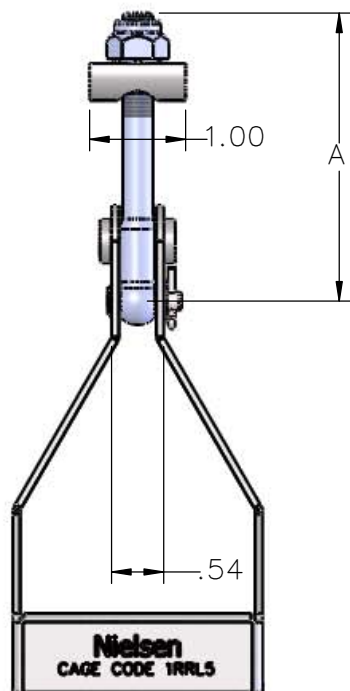


PART NUMBER	CONTROL PRINT NUMBER	NSN	"A"
12600-00	6213873-1	5340-01-519-0150	2.50"
12610-00	6213873-2	5340-01-465-5848	3.00"



SHOWN AS A KIT. BAGGED AND LABELED.
 LABEL TO INCLUDE P/N
 AND CAGE CODE 1RRL5

NOTES:

- 1 CONTROL PRINT 6213873.
- 2 SHALL BE CLEANED, DESCALED, AND PASSIVATED PER ASTM A380 OR EQUIVALENT.

REMOVE ALL BURRS & SHARP EDGES.
 ALL DIMENSIONS ARE IN INCHES
 UNLESS OTHERWISE NOTED.

TOLERANCES (EXCEPT AS NOTED)

TWO PLACE DECIMALS	±.01
THREE PLACE DECIMALS	±.005
FRACTIONS	±.015
SURFACE ROUGHNESS	63 $\sqrt{\text{ }}$
ANGLES	±5°

DRWN	BDS	DATE
CK'D	RH	01/17
APVD	RH	01/17



SCALE: 1:2	UNS NO. ~	MATL: ~	CAGE NO. 1RRL5	SIZE B	ID CODE ~	DWG NO. 12600-00,12610-00	REV B
------------	-----------	---------	----------------	--------	-----------	---------------------------	-------

B	ECN 20247; SEE ECN SH FOR CHANGES	TJM	BDS	07/18
A	ECN 20189; RELEASED FOR PRODUCTION	BDS	RH	01/17
LTR	REVISION	BY	APVD	DATE

TITLE SS LATCH KIT