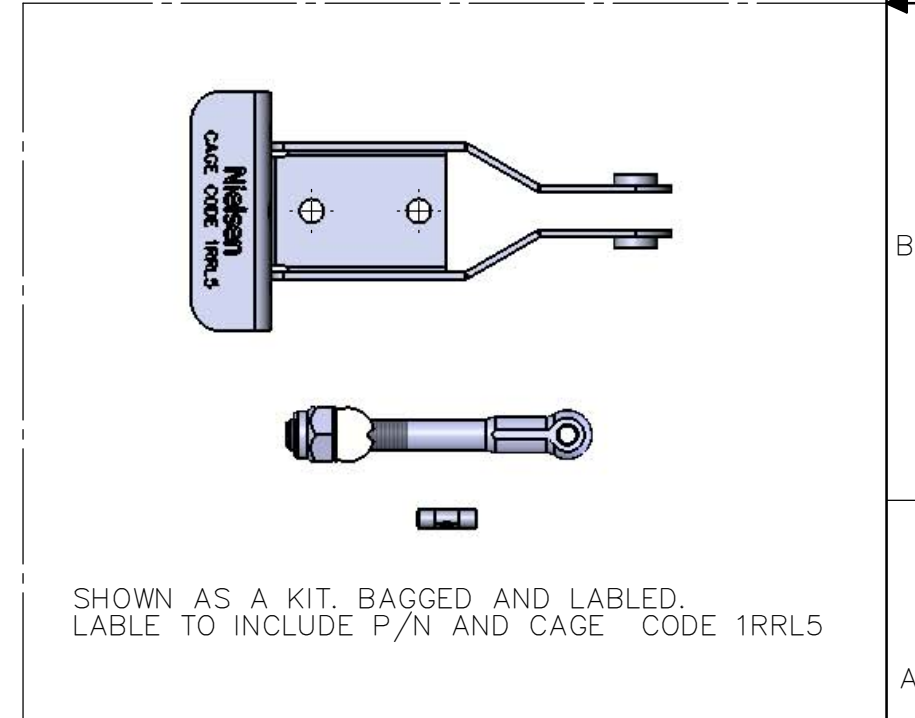
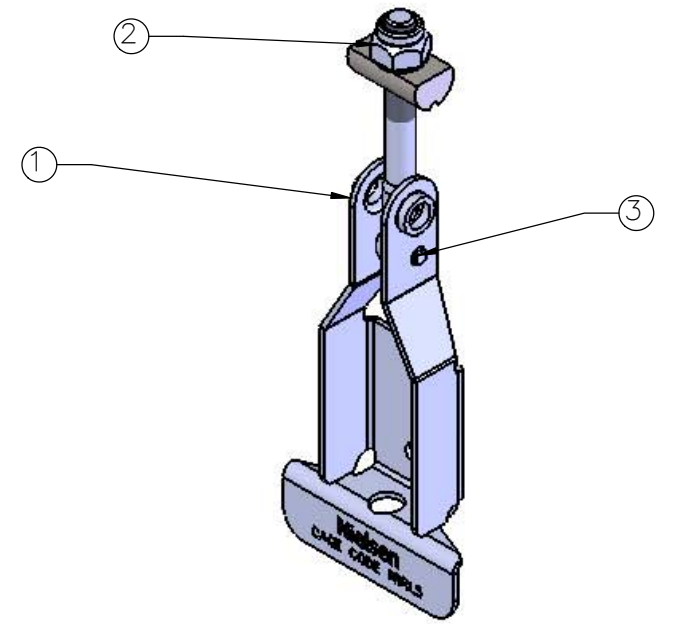
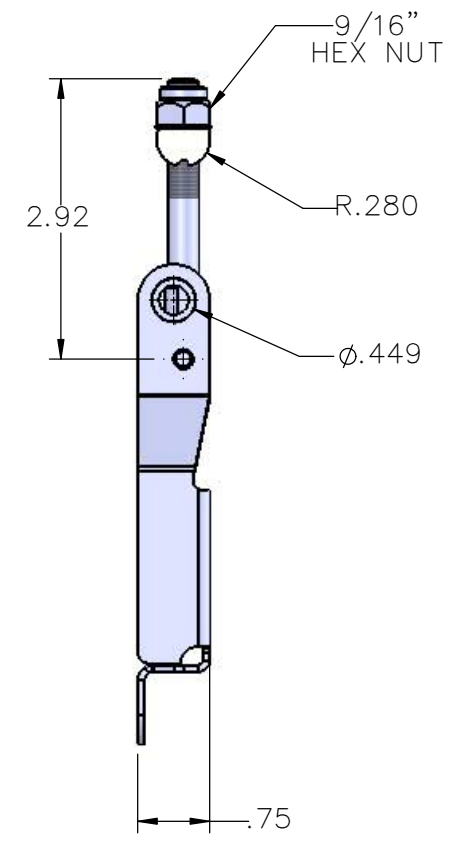
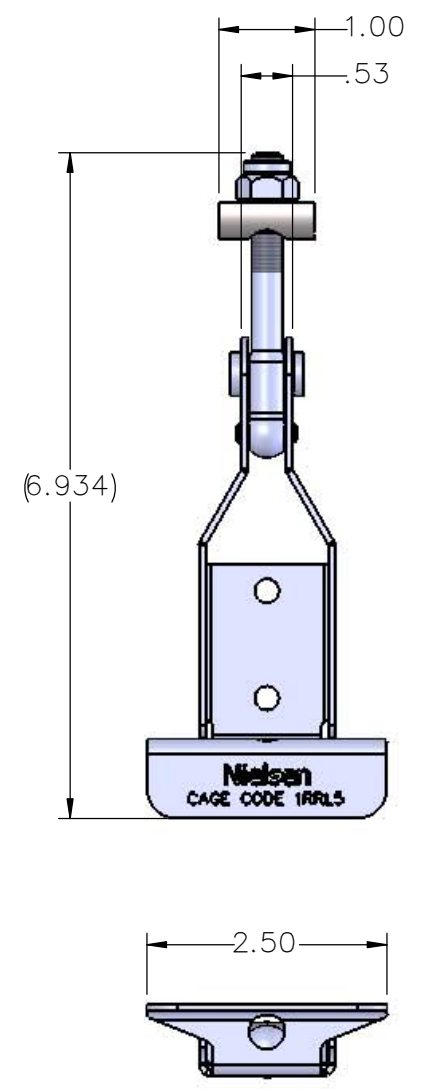


ITEM	PART NUMBER	DESCRIPTION	QTY.	QTY.	FINISH
-	12700-00-01	LATCH ASSEMBLY	X		②
-	12700-00-02	LATCH ASSEMBLY		X	③
1	12700-01-03	HANDLE	1		②
	12700-01-04			1	③
2	12700-28-01	BOLT/BARREL ASSEMBLY	1		②
	12700-28-02			1	③
3	12700-07-01	GROOVE PIN	1		②
	12700-07-02			1	③

1	USED ON
---	---------



NOTES:

- ① CONTROLLED PRINT: 6213102-1.
- ② FINISH: CAD/YELLOW PER AMS QQ-P-416, TYPE II, CLASS 2.
- ③ FINISH: ZINC/YELLOW PER ASTM B633, TYPE VI, CLASS FE/ZN 8.

REMOVE ALL BURRS & SHARP EDGES. ALL DIMENSIONS ARE IN INCHES UNLESS OTHERWISE NOTED.

TOLERANCES (EXCEPT AS NOTED)

TWO PLACE DECIMALS ±.01  
 THREE PLACE DECIMALS ±.005  
 FRACTIONS ±.015

SURFACE ROUGHNESS 63  
 ANGLES ±5°

DRWN	BDS	DATE
CK'D	RH	07/18
APVD	RH	07/18



SCALE: 1:2

UNS NO. ~  
 MATL: ~  
 FINISH: ~

A	ECN 20241; SEE ECN SH FOR CHANGES	BDS	RH	07/18
LTR	REVISION	BY	APVD	DATE
TITLE: LATCH				
CAGE NO.	SIZE	ID CODE	DWG NO.	REV
1RRL5	B	~	12700-00-TAB	A