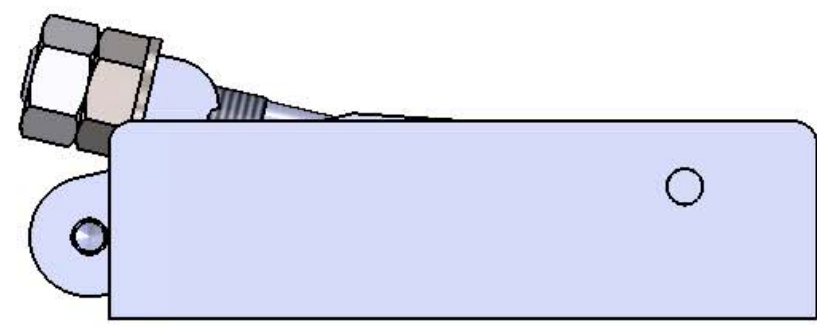
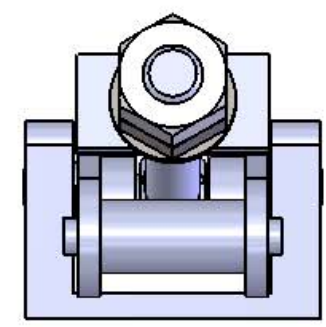
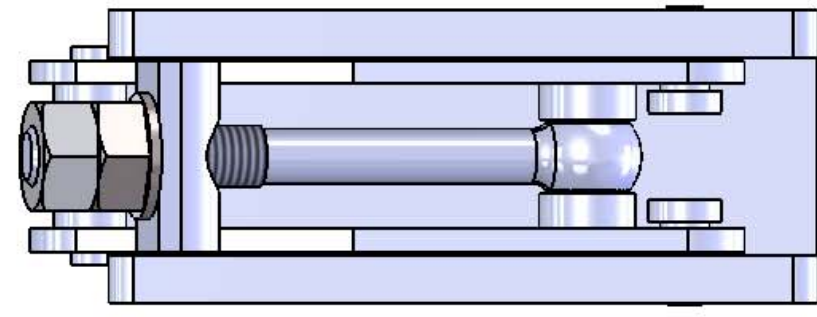
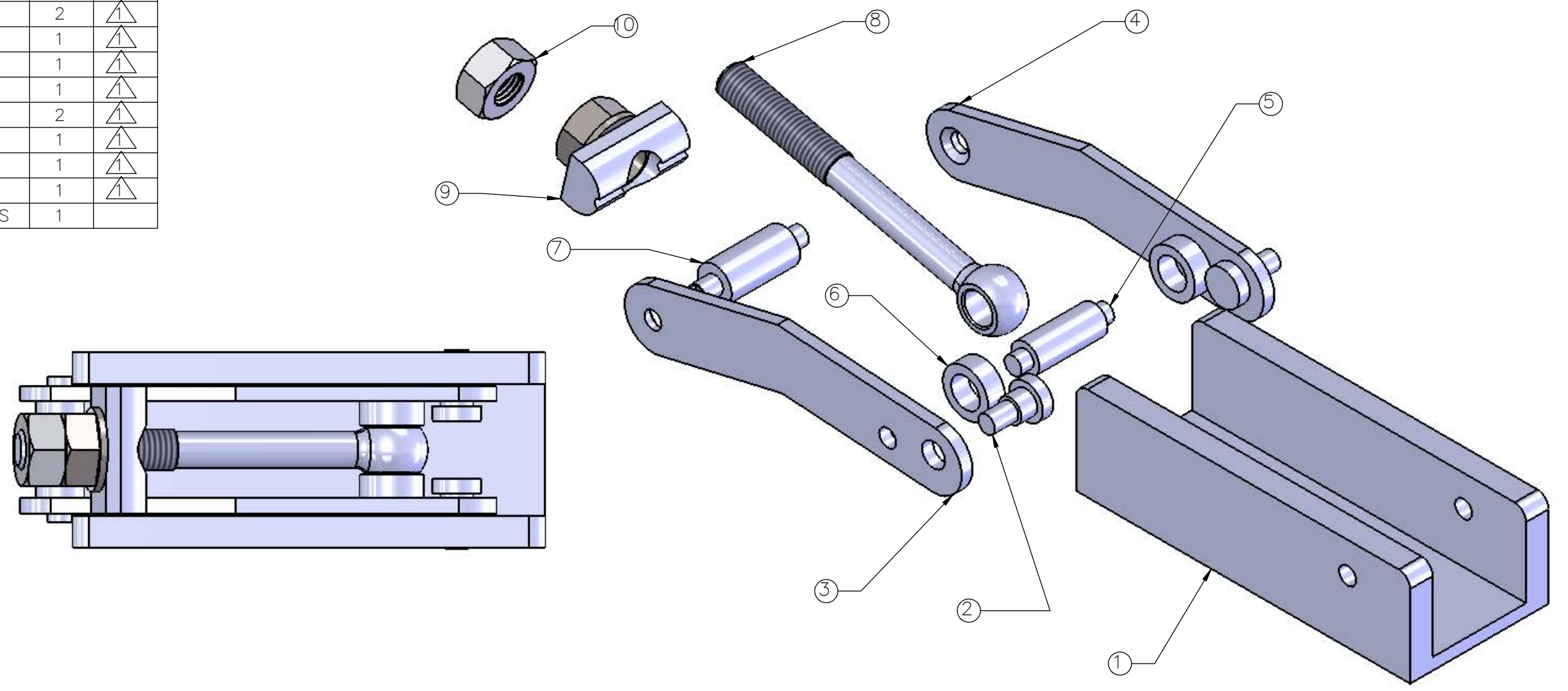


ITEM	PART NUMBER	DESCRIPTION	QTY.	FINISH
-	12740-00	DRAW LATCH LG BASE	X	△
1	12740-01	BASE	1	
2	13000-05-01	LATCH RIVET	2	△
3	13000-03-01	HANDLE LINK, LEFT	1	△
4	13000-04-01	HANDLE LINK, RIGHT	1	△
5	13000-06-01	BOLT PIN	1	△
6	13000-08-01	SPACER	2	△
7	13000-07-01	HANDLE PIN	1	△
8	13000-09-01	DRAW BOLT SS	1	△
9	13000-25	NUT/BARREL SUB ASSEMBLY	1	△
10	13000-18	5/16-24 EX WIDE NUT 316 SS	1	

1	USED ON
---	---------



SHOWN AS A KIT. BAGGED AND LABELED.
 LABEL TO INCLUDE P/N AND CAGE CODE 1RRL5

NOTES:

- △ FINISH: CLEAR PASSIVATE PER AMS-QQ-P-35, TYPE II.
- △ CONTROL PRINT 17D043-10.

REMOVE ALL BURRS & SHARP EDGES.
 ALL DIMENSIONS ARE IN INCHES
 UNLESS OTHERWISE NOTED.

TOLERANCES (EXCEPT AS NOTED)

TWO PLACE DECIMALS ±.01
 THREE PLACE DECIMALS ±.005
 FRACTIONS ±.015

SURFACE ROUGHNESS 63√
 ANGLES ±5°

DRWN	BDS	DATE
CK'D	TJM	12/17
APVD	BDS	12/17



A	ECN 20210; SEE ECN SHEET FOR CHANGES	BDS	TJM	12/17
LTR	REVISION	BY	APVD	DATE
TITLE DRAW LATCH LG BASE				
SCALE: 1:1	UNS NO. ~	MATL: ~	CAGE NO. 1RRL5	SIZE B
	FINISH: ~		ID CODE ~	DWG NO. 12740-00
				REV A