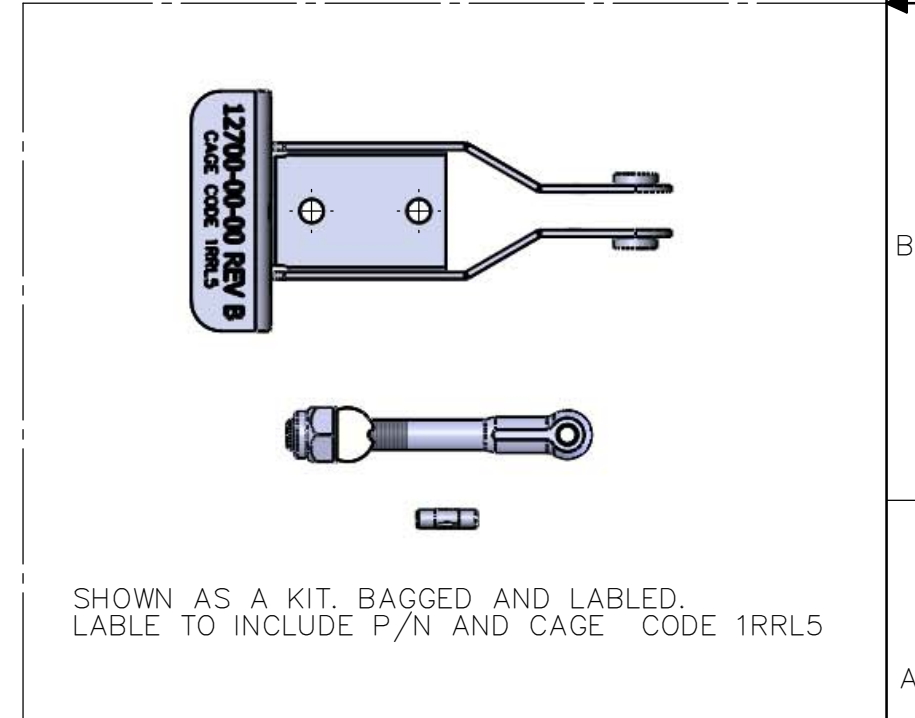
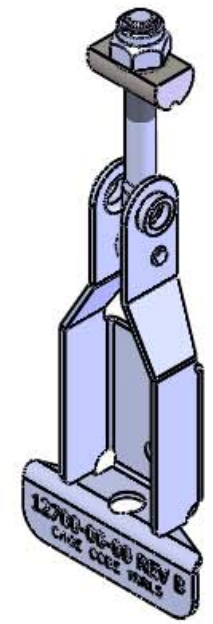
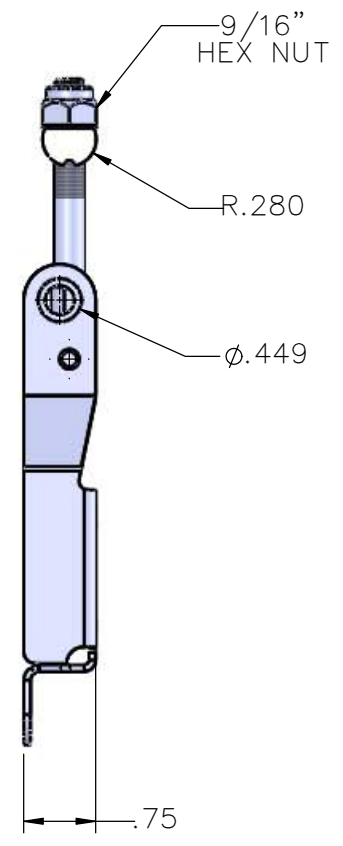
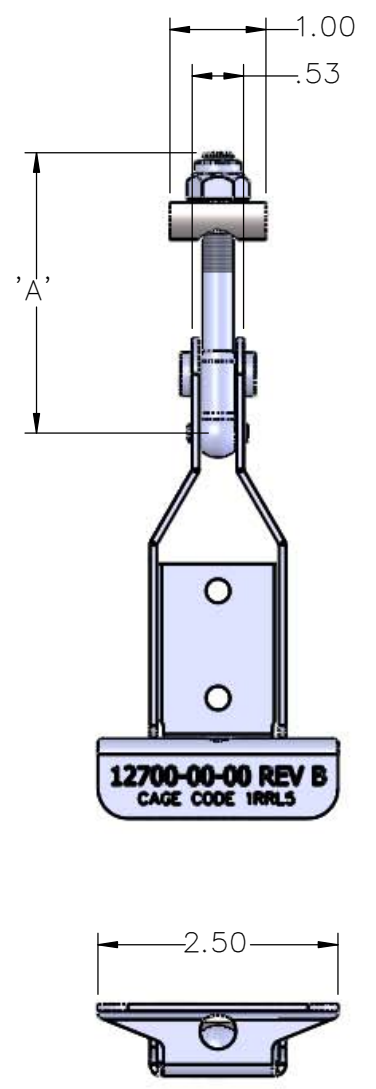


PART NUMBER	CONTROL PRINT NUMBER	NSN	'A'	FINISH
12700-00-00	6213102-1	5340-01-378-7031	2.92"	③
12700-00-01	---	---	2.92"	②
12710-00-00	6213102-2	---	2.54"	③
12710-00-01	---	---	2.54"	②
12720-00-00	6213102-3	5340-01-370-0661	3.54"	③
12720-00-01	---	---	3.54"	②
12730-00-00	6213102-4	---	4.38"	③

USED ON



NOTES:

- ① REFERENCE: CONTROLLED PRINT: 6213102.
- ② FINISH: CAD/YELLOW PER AMS QQ-P-416, TYPE II, CLASS 2.
- ③ FINISH: ZINC/YELLOW PER ASTM B633, TYPE VI, CLASS FE/ZN 8.

REMOVE ALL BURRS & SHARP EDGES. ALL DIMENSIONS ARE IN INCHES UNLESS OTHERWISE NOTED.

TOLERANCES (EXCEPT AS NOTED)

TWO PLACE DECIMALS ±.01
 THREE PLACE DECIMALS ±.005
 FRACTIONS ±.015

SURFACE ROUGHNESS 63
 ANGLES ±5°

DRWN	BDS	DATE
CK'D	RH	07/18
APVD	RH	07/18



SCALE: 1:2

UNS NO. ~
 MATL: ~
 FINISH: ~

A	ECN 20241; SEE ECN SH FOR CHANGES	BDS	RH	07/18
LTR	REVISION	BY	APVD	DATE
TITLE				
CAGE NO.	SIZE	ID CODE	DWG NO.	REV
1RRL5	B	~	127XX SERIES	A