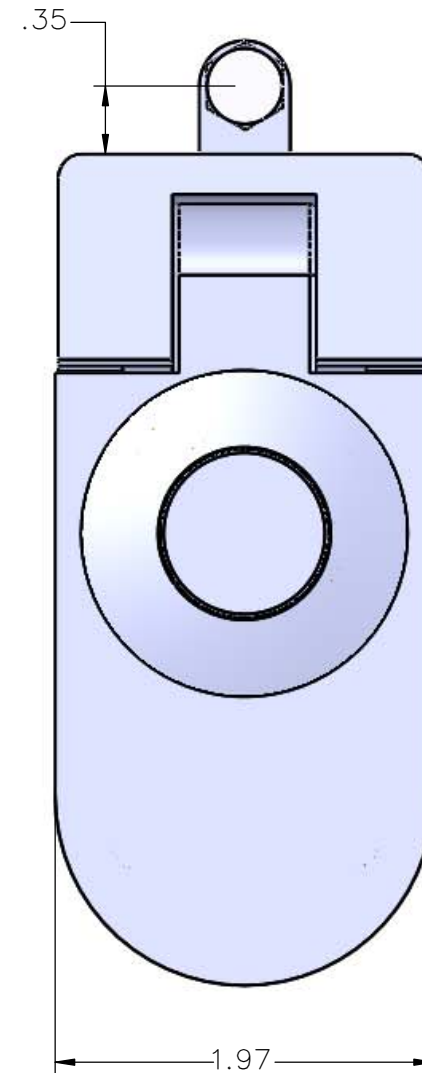
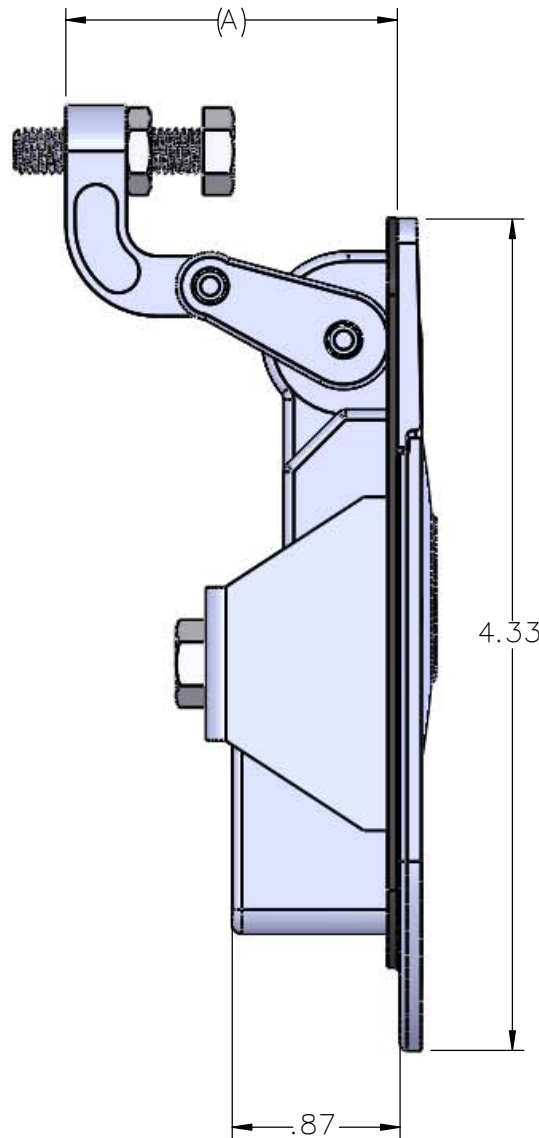
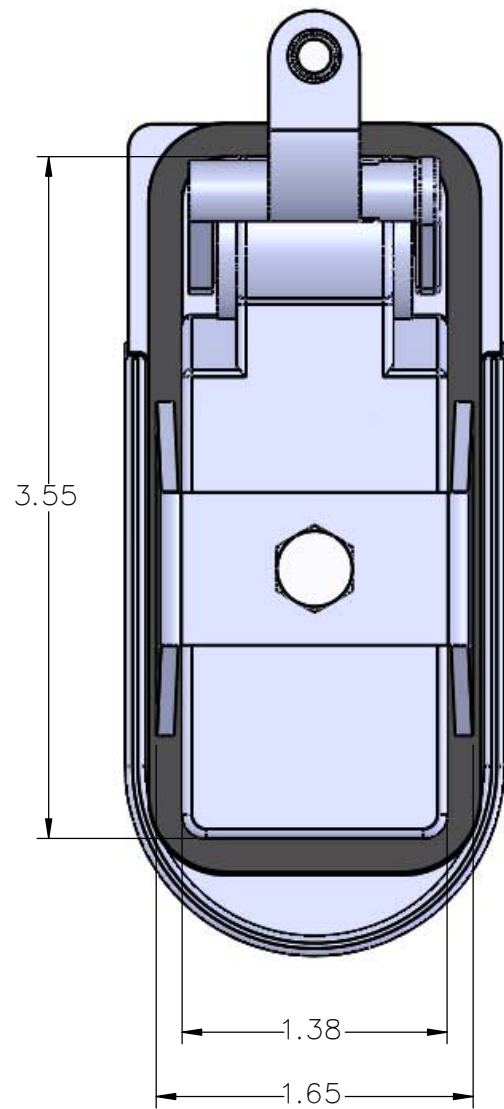
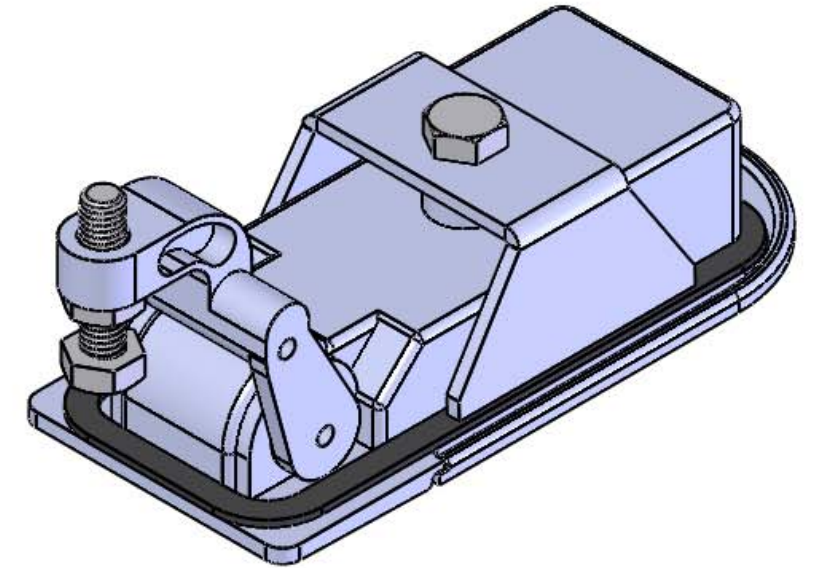
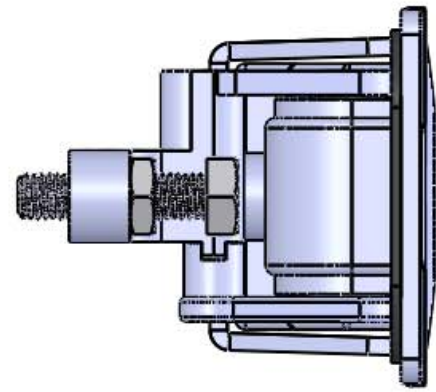


PART NUMBER	NSN	(A) DIMENSION
12900-00	5340-01-568-9060	2.36
12910-00	5340-01-631-1922	2.83
12920-00	---	1.14
12930-00	---	1.73



REMOVE ALL BURRS & SHARP EDGES.  
ALL DIMENSIONS ARE IN INCHES  
UNLESS OTHERWISE NOTED.

TOLERANCES (EXCEPT AS NOTED)  
TWO PLACE DECIMALS ±.01  
THREE PLACE DECIMALS ±.005  
FRACTIONS ±.015  
SURFACE ROUGHNESS 63√ ±5"  
ANGLES

DRWN	TJM	DATE
CK'D	~	11/18
APVD	~	~



SCALE: 1:1

UNS NO. ~  
MATL: ~  
FINISH: ~

A	ECN 20309; SEE ECN SHEET FOR CHANGES	TJM	.	.
LTR	REVISION	BY	APVD	DATE
TITLE		SLAM LATCH		
CAGE NO.	SIZE	ID CODE	DWG NO.	REV
1RRL5	B	~	12900 SERIES	A