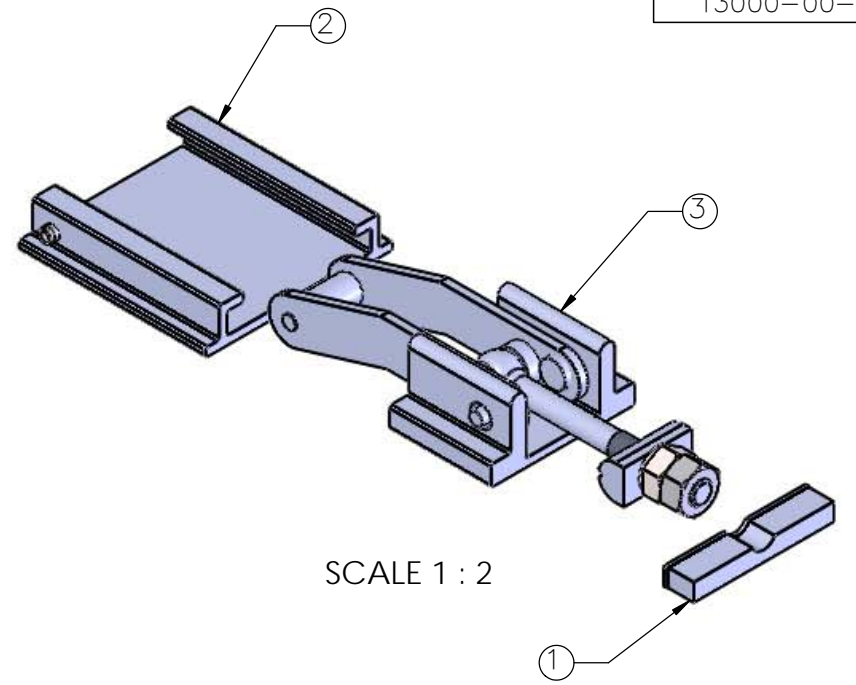
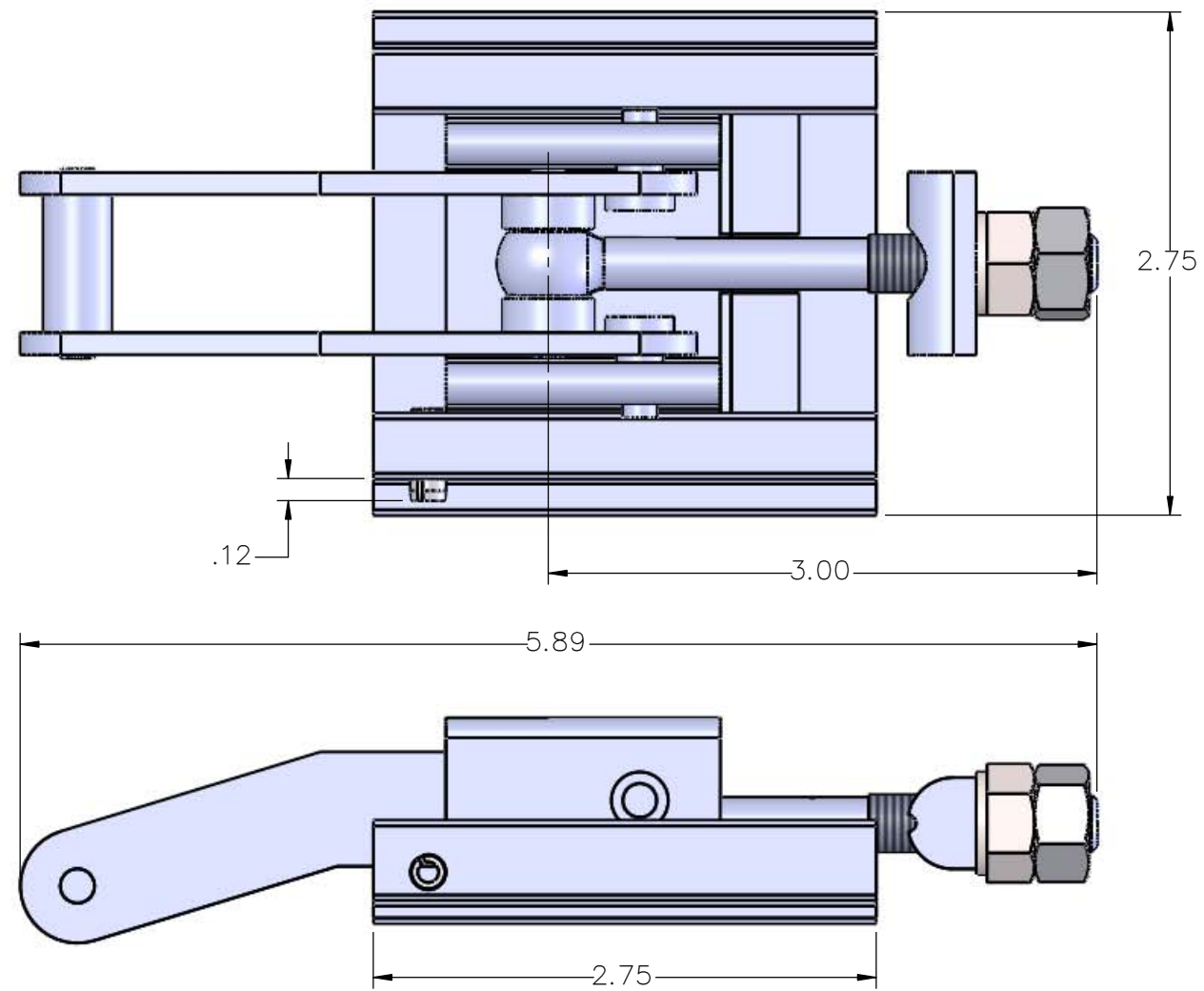
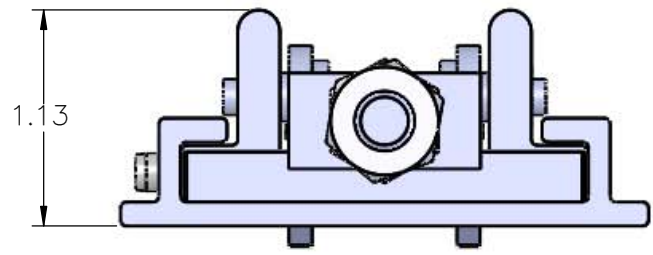


ITEM	PART NUMBER	DESCRIPTION	QTY.	FINISH
-	13000-00	HANDLE ASSEMBLY	X	
1	13000-13	BACKING PLATE ASSEMBLY	1	
2	13000-21	BASE/PIN S/A	1	
3	13000-20	HANDLE/DRAW BOLT ASSEMBLY	1	



SHOWN AS A BAGGED KIT.



NOTES:

- FINISH: CLEAR PASSIVATE PER AMS-QQ-P-35, TYPE II.
- CONTROL PRINT 17D058-20

REMOVE ALL BURRS & SHARP EDGES. ALL DIMENSIONS ARE IN INCHES UNLESS OTHERWISE NOTED.

TOLERANCES (EXCEPT AS NOTED)

TWO PLACE DECIMALS ±.01
THREE PLACE DECIMALS ±.005
FRACTIONS ±.015

SURFACE ROUGHNESS 63√ ±5°
ANGLES ±5°

DRWN	BDS	DATE
CK'D	RH	06/17
APVD	RH	06/17



B	ECN 20249; SEE ECN SH FOR CHANGES	TJM	BDS	11/18
A	ECN 20195; RELEASE FOR PRODUCTION	BDS	RH	06/17
LTR	REVISION	BY	APVD	DATE
TITLE HANDLE ASSEMBLY				
UNS NO.	MATL: ~	CAGE NO.	SIZE	ID CODE
SCALE: 1:1	~	1RRL5	B	~
FINISH: ~		DWG NO.	REV	
		13000-00	B	