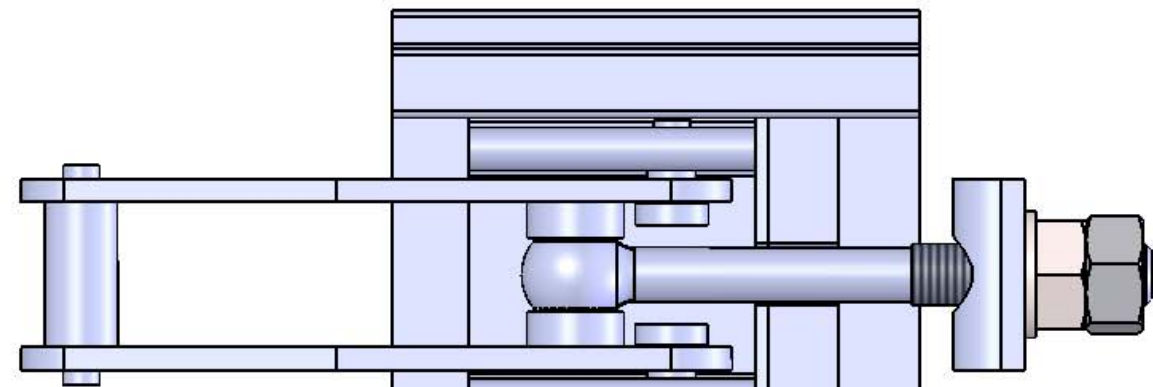
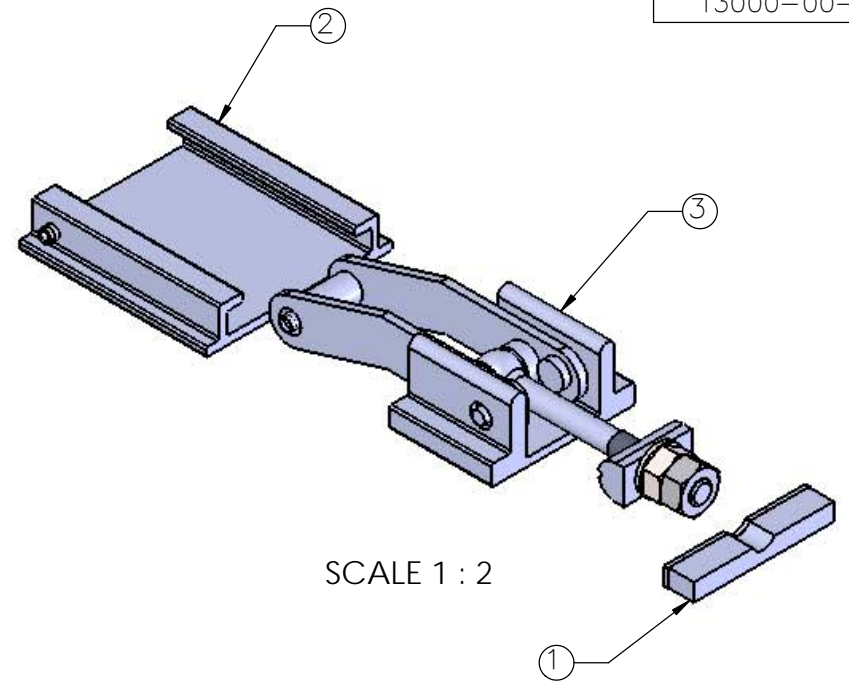
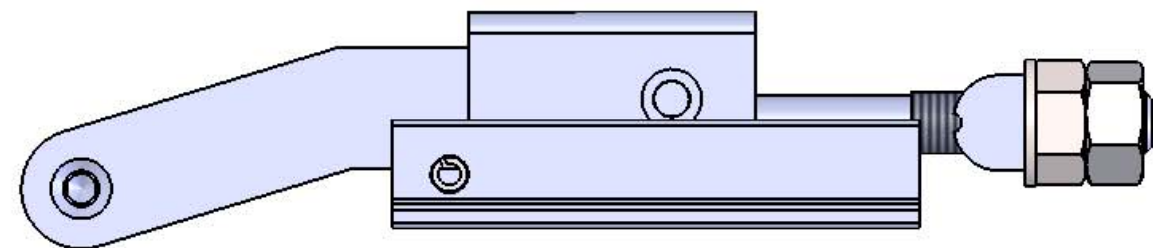


ITEM	PART NUMBER	DESCRIPTION	QTY.	FINISH
-	13000-00	HANDLE ASSEMBLY	X	
1	13000-13	BACKING PLATE ASSEMBLY	1	
2	13000-21	BASE/PIN S/A	1	
3	13000-20	HANDLE/DRAW BOLT ASSEMBLY	1	

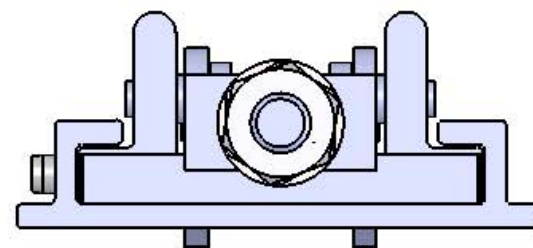
DWG 13000-00
USED ON
13000-00-00



.121



SCALE 1:2



SHOWN AS A KIT. BAGGED AND LABELED.
LABEL TO INCLUDE P/N AND CAGE CODE 1RRL5

NOTES:

- FINISH: CLEAR PASSIVATE PER AMS-QQ-P-35, TYPE II.
- CONTROL PRINT 17D058-20

REMOVE ALL BURRS & SHARP EDGES.
ALL DIMENSIONS ARE IN INCHES
UNLESS OTHERWISE NOTED.

TOLERANCES (EXCEPT AS NOTED)

TWO PLACE DECIMALS ±.01
THREE PLACE DECIMALS ±.005
FRACTIONS ±.015

SURFACE ROUGHNESS 63√ ±5
ANGLES

DRWN	BDS	DATE
CK'D	RH	06/17
APVD	RH	06/17



B	ECN 20249; SEE ECN SH FOR CHANGES	TJM	.	.
A	ECN 20195; RELEASE FOR PRODUCTION	BDS	RH	06/17
LTR	REVISION	BY	APVD	DATE
TITLE HANDLE ASSEMBLY				

SCALE: 1:1	UNS NO. ~~	MATL: ~	CAGE NO. 1RRL5	SIZE B	ID CODE ~~	DWG NO. 13000-00	REV B
------------	---------------	---------	-------------------	-----------	---------------	---------------------	----------