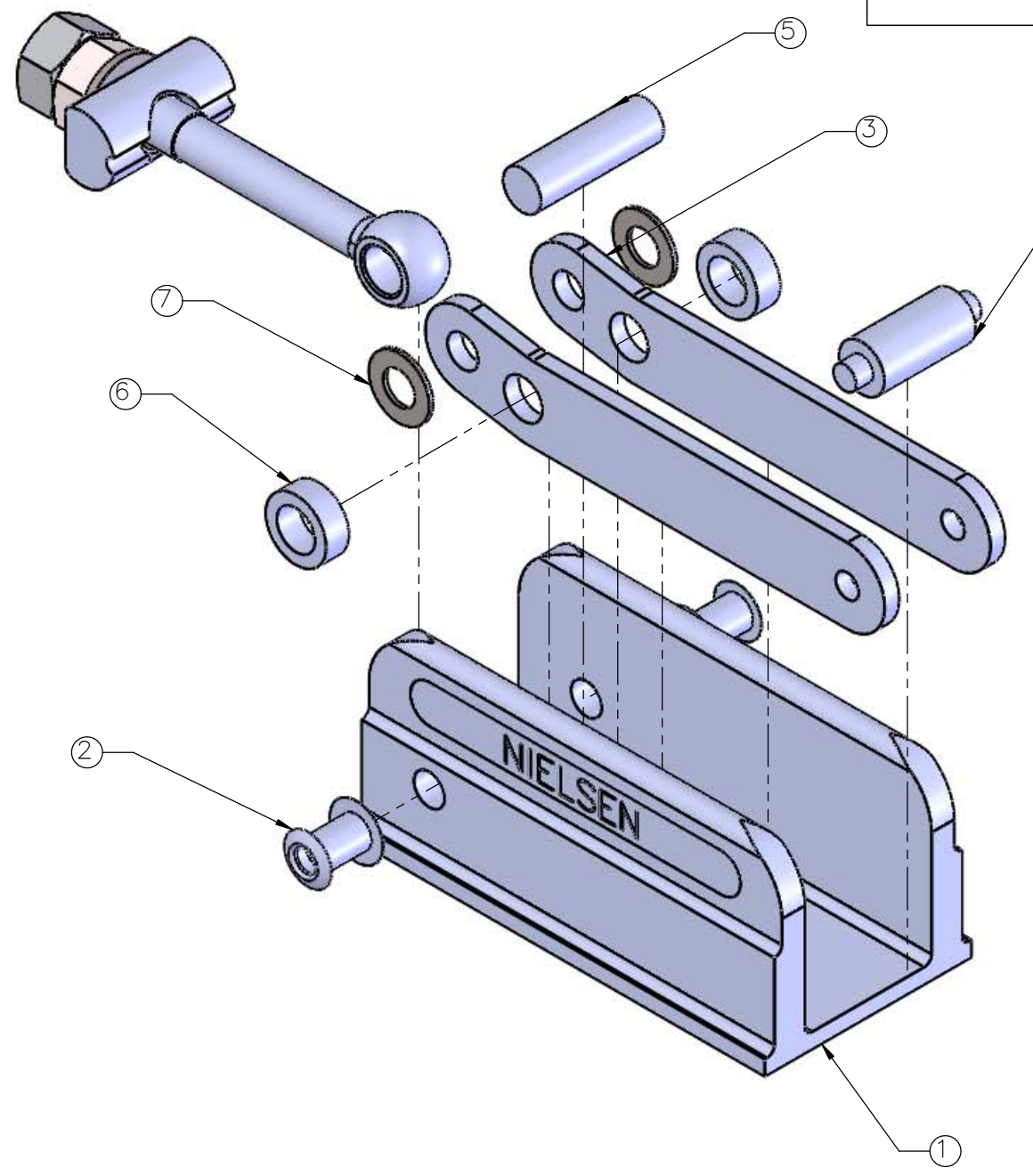
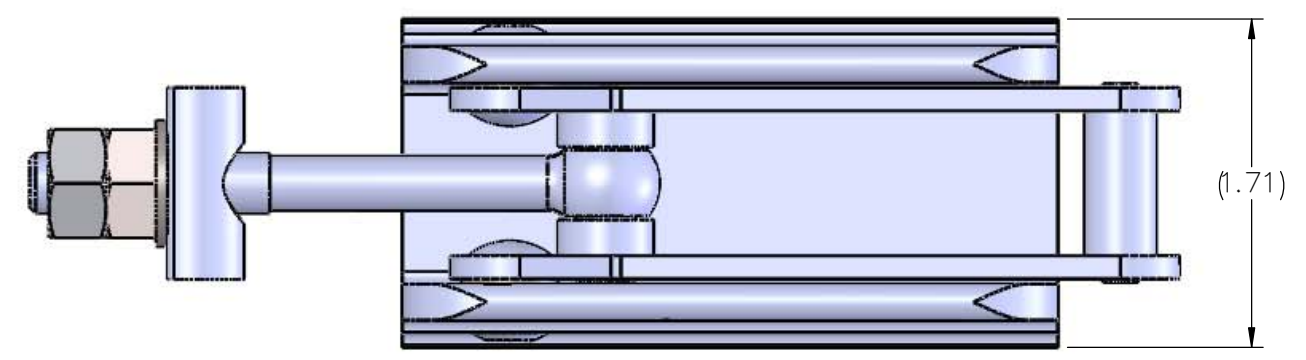
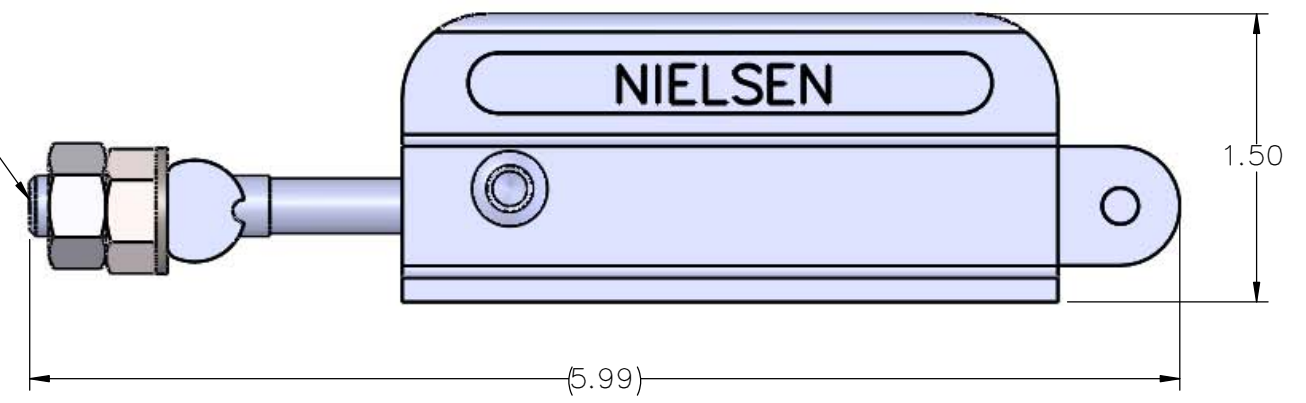


| ITEM | PART NUMBER | DESCRIPTION | QTY |
|------|-------------|----------------------|-----|
| - | 13000-50 | LATCH ASSEMBLY | X |
| 1 | 13000-22 | BASE | 1 |
| 2 | 13000-23-01 | RIVET | 2 |
| 3 | 13000-24-01 | HANDLE LINK | 2 |
| 4 | 13000-07-01 | HANDLE PIN | 1 |
| 5 | 13000-26-01 | BOLT PIN | 1 |
| 6 | 13000-08-01 | SPACER | 2 |
| 7 | 13000-27-01 | WASHER | 2 |
| 8 | 13000-31 | BOLT/BARREL ASSEMBLY | 1 |

DWG 13000-50
USED ON



STAKE LAST
2 THREADS



NOTES:

CONTROL PRINT: 174A4525 AND 174A4581.
REFERENCE PART NUMBER: 174A4525G03.

REMOVE ALL BURRS & SHARP EDGES.
ALL DIMENSIONS ARE IN INCHES
UNLESS OTHERWISE NOTED.

TOLERANCES (EXCEPT AS NOTED)
TWO PLACE DECIMALS ±.01
THREE PLACE DECIMALS ±.005
FRACTIONS ±.015
SURFACE ROUGHNESS 63√ ±5'
ANGLES

| | | |
|------------|-----|-------|
| DRWN | TJM | DATE |
| CK'D | VC | 07/20 |
| APVD | VC | 07/20 |
| SCALE: 1:1 | | |



UNS NO. ~
MATL: ~
FINISH: ~

| | | | | |
|-------------------------|--------------------------------------|---------|----------|-------|
| A | ECN 20378; SEE ECN SHEET FOR CHANGES | TJM | VC | 07/20 |
| LTR | REVISION | BY | APVD | DATE |
| TITLE LATCH ASSEMBLY | | | | |
| CAGE NO. | SIZE | ID CODE | DWG NO. | REV |
| 1RRL5 | B | ~ | 13000-50 | A |