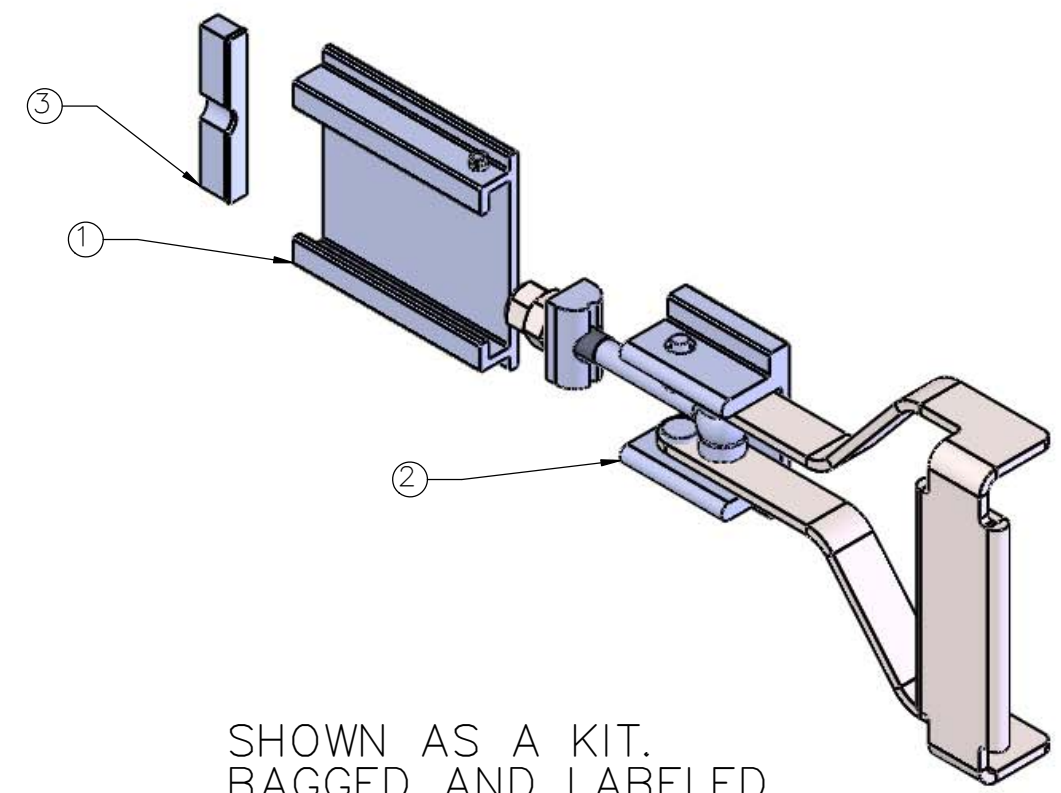
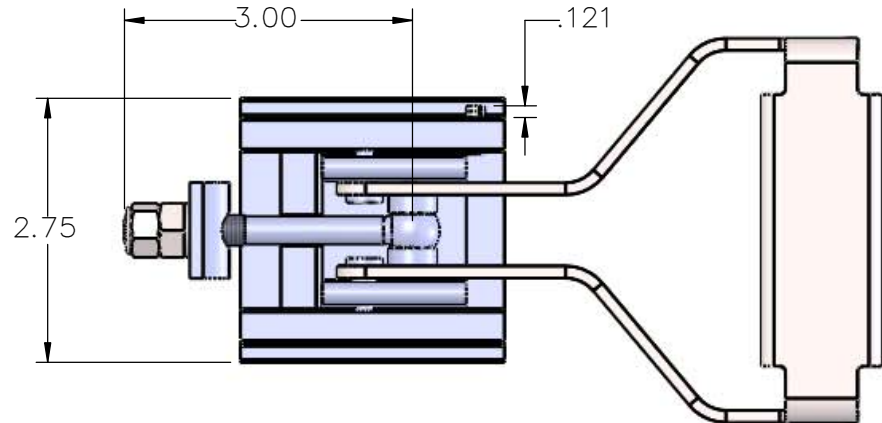
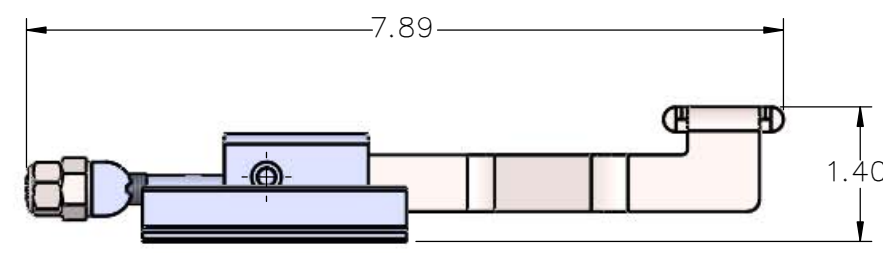
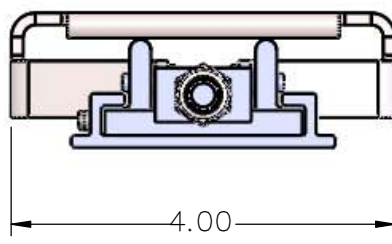


ITEM	PART NUMBER	DESCRIPTION	QTY.	FINISH
-	13027-00	LATCH ASSEMBLY	X	
1	13000-21	BASE/PIN S/A	1	
2	13027-02	HANDLE BOLT ASM	1	
3	13000-13	BACKING PLATE ASSEMBLY	1	

DWG 13027-00
USED ON



SHOWN AS A KIT.
BAGGED AND LABELED.
LABEL TO INCLUDE P/N
AND CAGE CODE 1RRL5



NOTES:

- FINISH: CLEAR PASSIVATE PER AMS-QQ-P-35, TYPE II.
- CONTROL PRINT 17D058-27

REMOVE ALL BURRS & SHARP EDGES.
ALL DIMENSIONS ARE IN INCHES
UNLESS OTHERWISE NOTED.

TOLERANCES (EXCEPT AS NOTED)

TWO PLACE DECIMALS ±.01
THREE PLACE DECIMALS ±.005
FRACTIONS ±.015

SURFACE ROUGHNESS 63
ANGLES ±5°

DRWN	TJM	DATE
CK'D	BDS	11/18
APVD	BDS	11/18



SCALE: 1:2

UNS NO. ~
MATL: ~
FINISH: ~

A	ECN 20262: RELEASED FOR PRODUCTION	TJM	BDS	11/18
LTR	REVISION	BY	APVD	DATE
TITLE		LATCH ASSEMBLY		
CAGE NO.	SIZE	ID CODE	DWG NO.	REV
1RRL5	B	~	13027-00	A