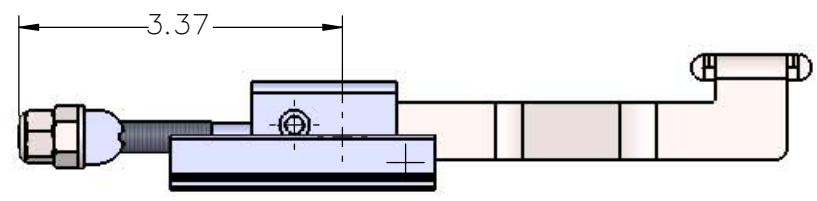
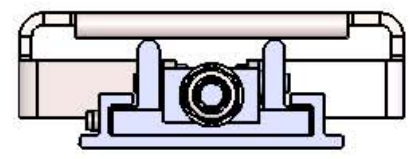
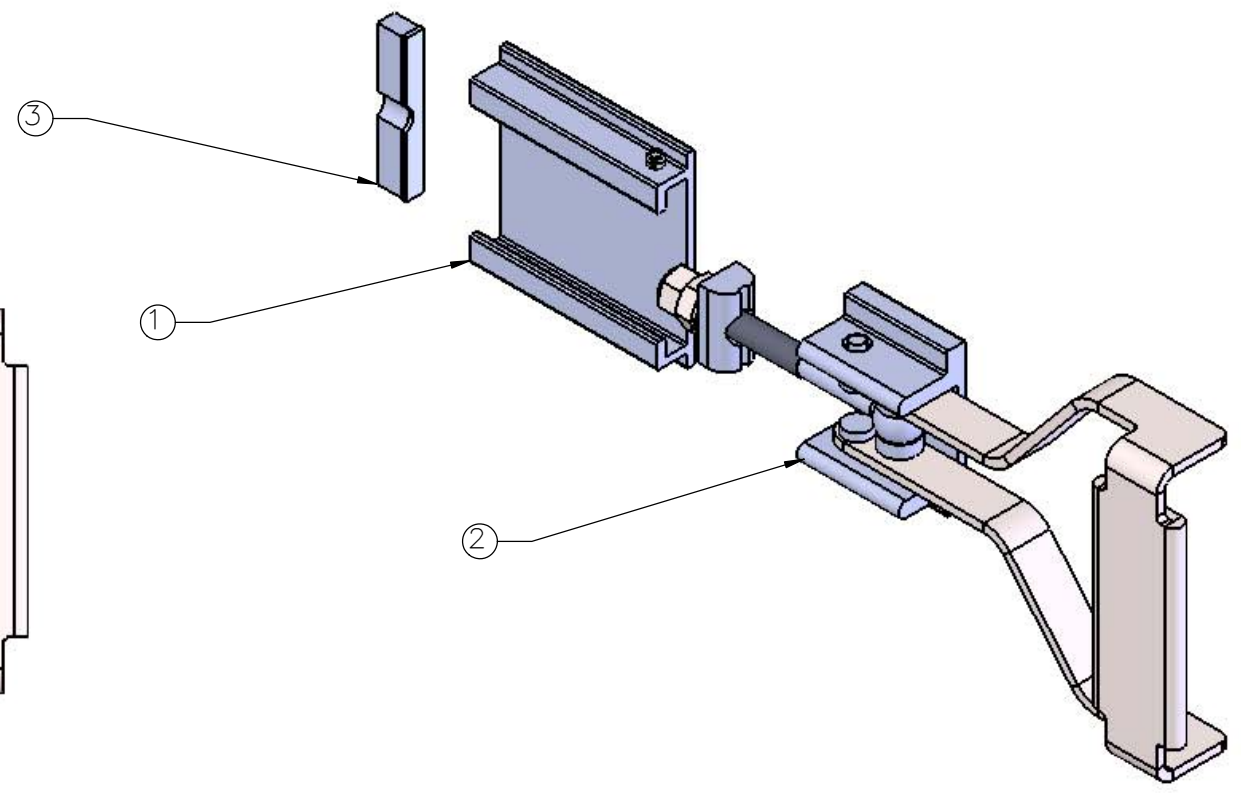
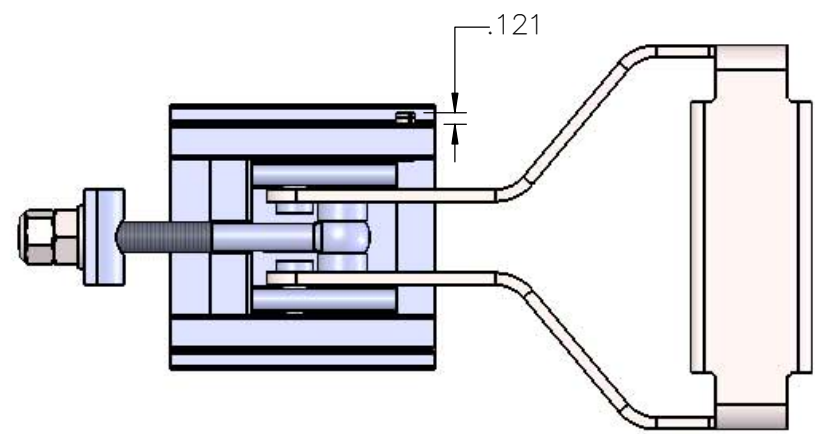


ITEM	PART NUMBER	DESCRIPTION	QTY.	FINISH
-	13030-00	LATCH ASSEMBLY	X	
1	13000-21	BASE/PIN S/A	1	
2	13030-03	HANDLE BOLT ASM	1	
3	13000-13	BACKING PLATE ASSEMBLY	1	

DWG 13030-00
USED ON



SHOWN AS A KIT. BAGGED AND LABELED.
LABEL TO INCLUDE P/N AND CAGE CODE 1RRL5

NOTES:

- FINISH: CLEAR PASSIVATE PER AMS-QQ-P-35, TYPE II.
- CONTROL PRINT 17D058-30

REMOVE ALL BURRS & SHARP EDGES.
ALL DIMENSIONS ARE IN INCHES
UNLESS OTHERWISE NOTED.

TOLERANCES (EXCEPT AS NOTED)

TWO PLACE DECIMALS ±.01
THREE PLACE DECIMALS ±.005
FRACTIONS ±.015

SURFACE ROUGHNESS 63 ±5'
ANGLES

DRWN	BDS	DATE
CK'D	~	10/17
APVD	~	~



SCALE: 1:2

UNS NO. ~
MATL: ~
FINISH: ~

A	ECN 20212; SEE ECN SHEET FOR CHANGES	BDS	.	.
LTR	REVISION	BY	APVD	DATE
TITLE LATCH ASSEMBLY				
CAGE NO.	SIZE	ID CODE	DWG NO.	REV
1RRL5	B	~	13030-00	A