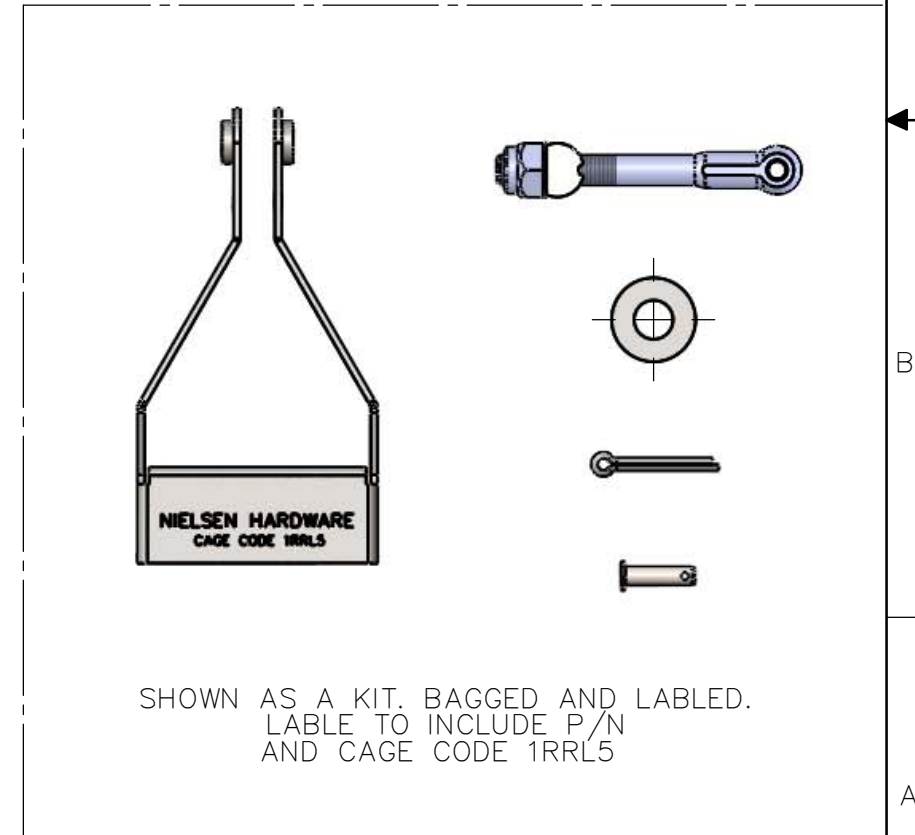
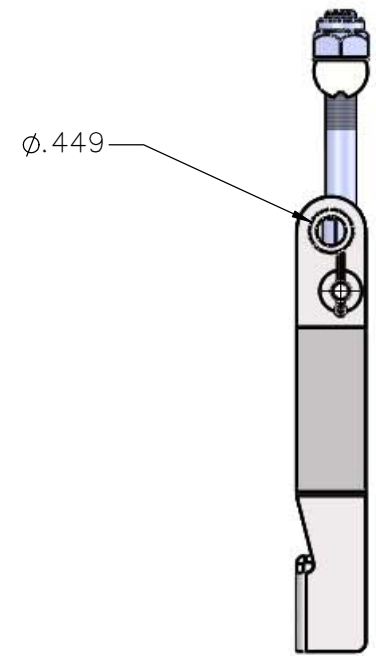
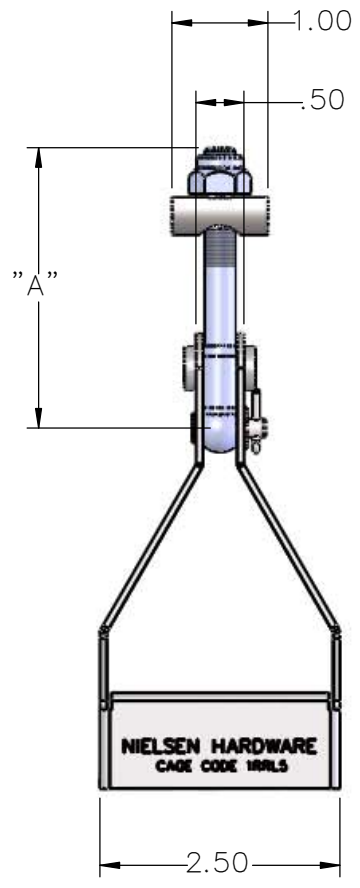
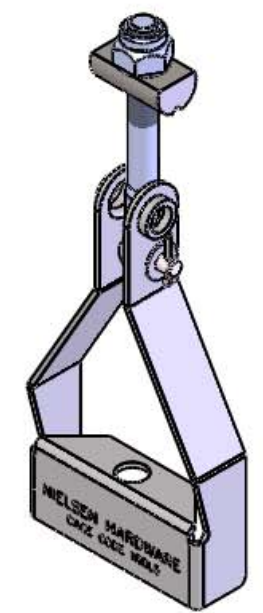


PART NUMBER	CONTROL PRINT NUMBER	NSN	"A"	FINISH
15000-00-01	---	---	2.92"	②
15000-00-02	6212861-2	---	2.92"	③
15010-00-01	---	---	3.49"	②
15010-00-02	6212861-3	---	3.49"	③
15020-00-01	---	---	2.54"	②
15020-00-02	6212861-4	5340-01-317-7219	2.54"	③
15030-00-01	---	---	4.00"	②
15030-00-02	6212861-5	---	4.00"	③

USED ON



SHOWN AS A KIT. BAGGED AND LABELED.
 LABEL TO INCLUDE P/N
 AND CAGE CODE 1RRL5

NOTES:

- ① CONTROL PRINT: 6212861.
- ② FINISH: CAD/YELLOW PER AMS QQ-P-416, TYPE II, CLASS 2.
- ③ FINISH: ZINC/YELLOW PER ASTM B633, TYPE VI, CLASS FE/ZN 8.

REMOVE ALL BURRS & SHARP EDGES.
 ALL DIMENSIONS ARE IN INCHES
 UNLESS OTHERWISE NOTED.

TOLERANCES (EXCEPT AS NOTED)

TWO PLACE DECIMALS ±.01
 THREE PLACE DECIMALS ±.005
 FRACTIONS ±.015

SURFACE ROUGHNESS 63√ ±5'
 ANGLES

DRWN	TJM	DATE	 ENGINEERED HARDWARE SOLUTIONS
CK'D	BDS	07/18	
APVD	BDS	07/18	
SCALE: 1:2		UNS NO.	MATL: ~
		~	FINISH: ~

A	ECN 20243; SEE ECN SHEET FOR CHANGES	TJM	BDS	07/18
LTR	REVISION	BY	APVD	DATE
TITLE LATCH, WIDE HANDLE STEEL				
CAGE NO.	SIZE	ID CODE	DWG NO.	REV
1RRL5	B	~	15XXX SERIES	A