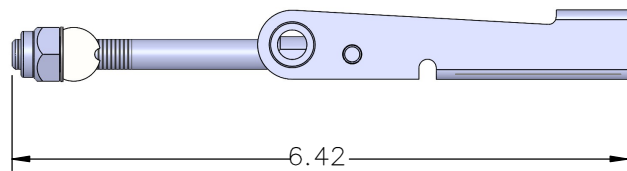
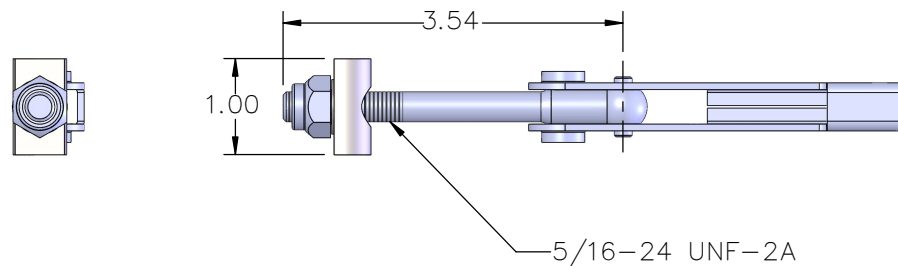
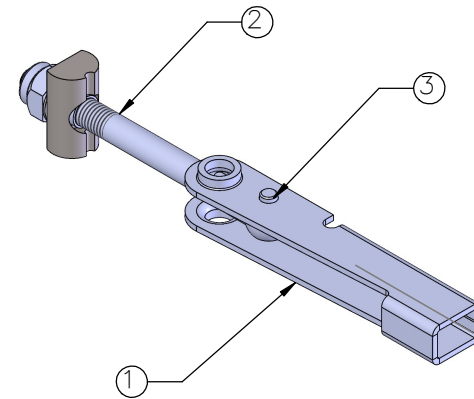


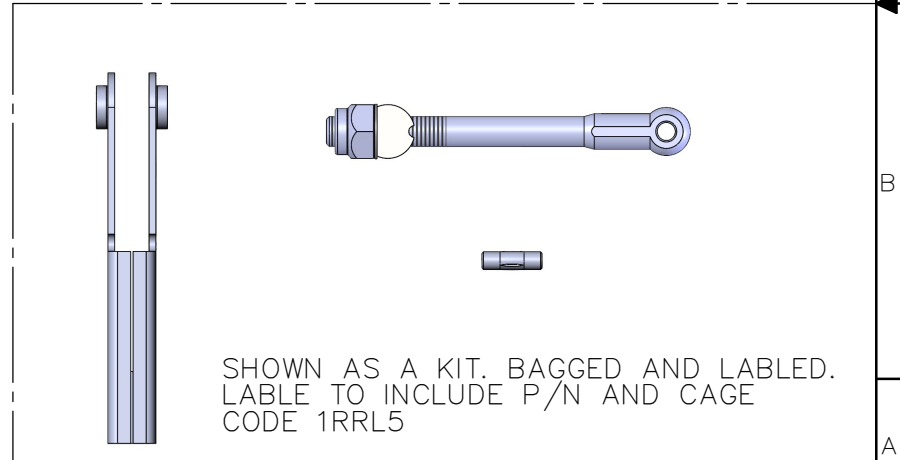
ITEM	PART NUMBER	DESCRIPTION	QTY.	QTY.	FINISH
-	15500-00-01	BLADE LATCH	X		②
	15500-00-02			X	③
1	15500-01-03	HANDLE	1		②
	15500-01-04			1	③
2	12720-28-01	BOLT/BARREL ASSEMBLY 3.54"	1		②
	12720-28-02			1	③
3	12700-07-01	GROOVE PIN	1		②
	12700-07-02			1	③

USED ON



NOTES:

- ① CONTROL PRINT: 5167756-3.
- ② FINISH: CAD/YELLOW PER AMS QQ-P-416, TYPE II, CLASS 2.
- ③ FINISH: ZINC/YELLOW PER ASTM B633, TYPE II, SC4.
- ④ LOAD TESTING: LATCH MUST WITHSTAND 4500# LOAD WITH NO DEFORMATION.



SHOWN AS A KIT. BAGGED AND LABELED.
 LABEL TO INCLUDE P/N AND CAGE
 CODE 1RRL5

B	ECN 20441; SEE ECN SH FOR CHANGES	TJM	VC	09/22
A	ECN 20245; SEE ECN SHEET FOR CHANGES	TJM	BDS	07/18
LTR	REVISION	BY	APVD	DATE

REMOVE ALL BURRS & SHARP EDGES.
 ALL DIMENSIONS ARE IN INCHES
 UNLESS OTHERWISE NOTED

TOLERANCES (EXCEPT AS NOTED)

TWO PLACE DECIMALS ±.01
 THREE PLACE DECIMALS ±.005
 FRACTIONS ±.015

SURFACE ROUGHNESS 63√
 ANGLES ±5°

DRWN	TJM	DATE	07/18
CK'D	BDS	DATE	07/18
APVD	BDS	DATE	07/18



SCALE: 1:2

UNS NO.
 ~ ~

MATL: ~
 FINISH: ~ ~

CAGE NO.	SIZE	ID CODE	DWG NO.	REV
1RRL5	A	~ ~	15500-00-TAB	B