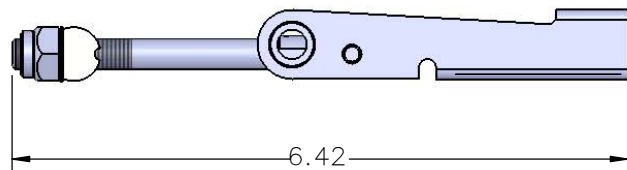
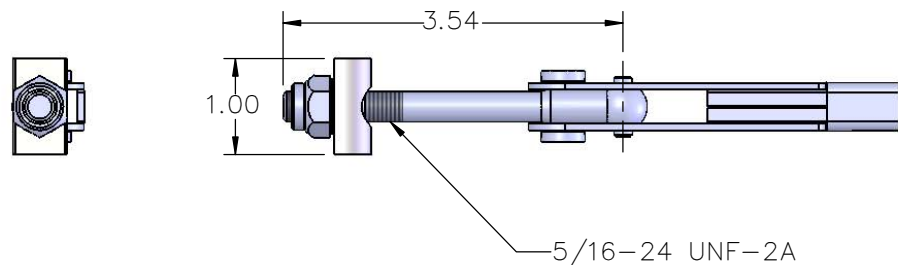
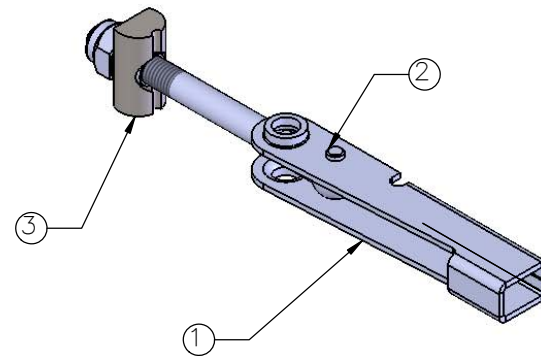


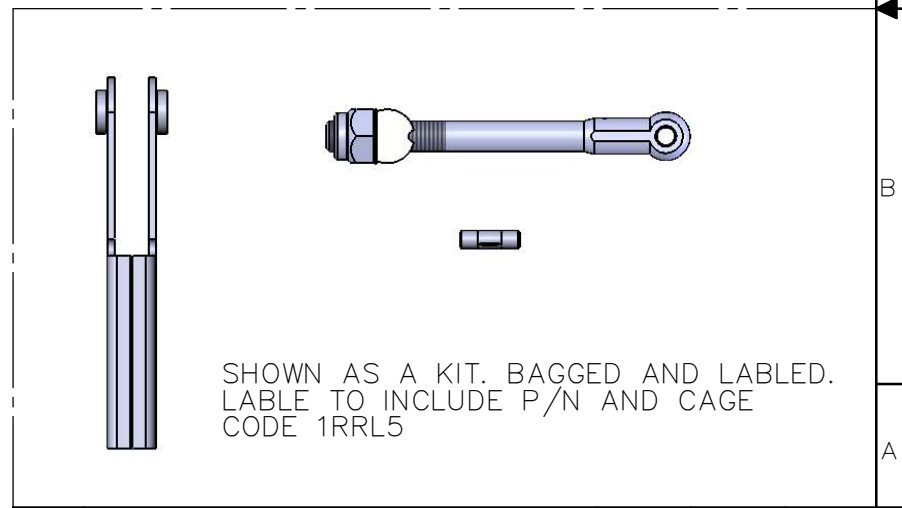
ITEM	PART NUMBER	DESCRIPTION	QTY.	QTY.	FINISH
-	15520-00-01	BLADE LATCH	X		②
-	15520-00-02	BLADE LATCH		X	③
1	15500-01-03	HANDLE	1		②
	15500-01-04			1	③
2	12700-07-01	GROOVE PIN	1		②
	12700-07-02			1	③
3	12720-28-01	BOLT/BARREL ASSEMBLY 3.54"	1		②
	12720-28-02			1	③

USED ON



NOTES:

- ① CONTROL PRINT: 5167756-3.
- ② FINISH: CAD/YELLOW PER AMS QQ-P-416, TYPE II, CLASS 2.
- ③ FINISH: ZINC/YELLOW PER ASTM B633, TYPE VI, CLASS FE/ZN 8.
- ④ LOAD TESTING: LATCH MUST WITHSTAND 4500# LOAD WITH NO DEFORMATION.



SHOWN AS A KIT. BAGGED AND LABELED.  
LABEL TO INCLUDE P/N AND CAGE  
CODE 1RRL5

REMOVE ALL BURRS & SHARP EDGES.  
ALL DIMENSIONS ARE IN INCHES  
UNLESS OTHERWISE NOTED

TOLERANCES (EXCEPT AS NOTED)  
TWO PLACE DECIMALS ±.01  
THREE PLACE DECIMALS ±.005  
FRACTIONS ±.015  
SURFACE ROUGHNESS 63√ ±5°  
ANGLES ±5°

DRWN	TJM	DATE 07/18
CK'D	BDS	07/18
APVD	BDS	07/18



SCALE: 1:2

UNS NO.  
~~

MATL: ~  
FINISH: ~

A	ECN 20245; SEE ECN SHEET FOR CHANGES	TJM	BDS	07/18
LTR	REVISION	BY	APVD	DATE
TITLE BLADE LATCH				
CAGE NO.	SIZE	ID CODE	DWG NO.	REV
1RRL5	A	~~	15500-00-TAB	A