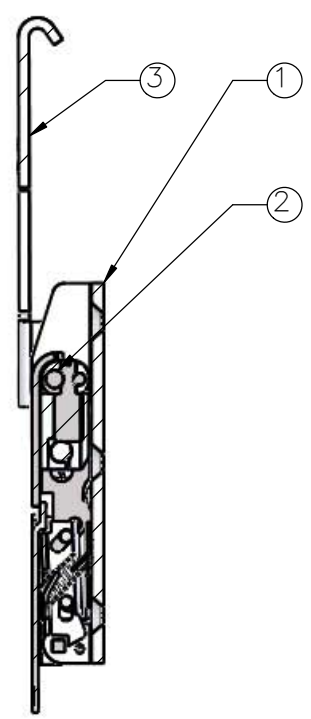
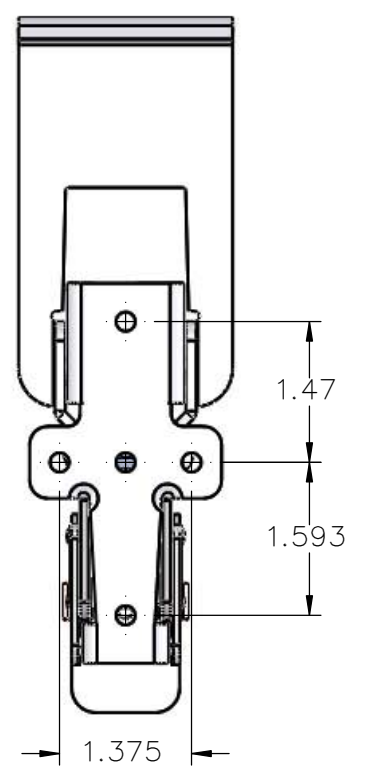
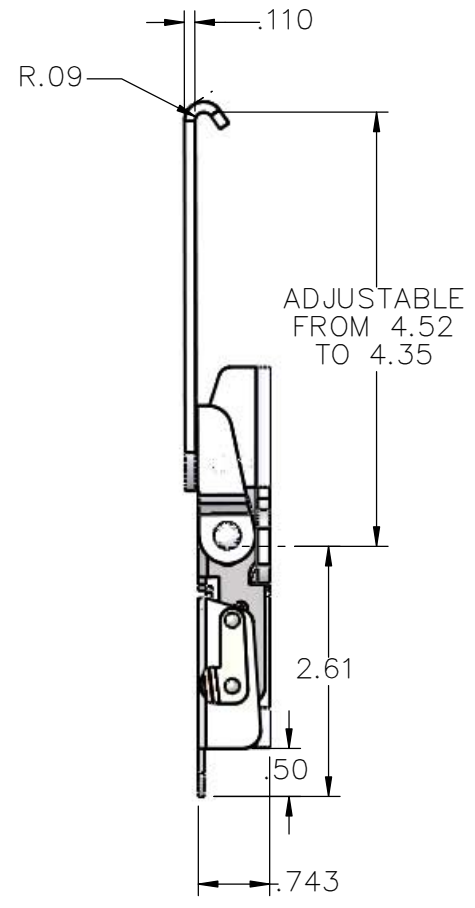
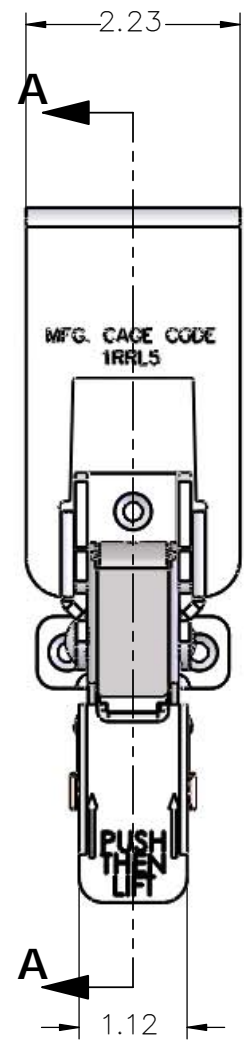


ITEM	PART NUMBER	DESCRIPTION	QTY.	QTY.	QTY.	FINISH
-	VHC250-68ZIZEY	CATCH ASSEMBLY	X			②
	VHC250-68ZICEY			X		③
	VHC250-68ZINE				X	④
1	250-004-03ZEY	BASE	1			②
	250-004-03CEY			1		③
	250-004-03NE				1	④
2	250-015-01SS	BASE PIN	1	1	1	
3	VHC250-68NBZIZEY	CATCH ASSEMBLY W/O BASE	1			②
	VHC250-68NBZICEY			1		③
	VHC250-68NBZINE				1	④



SECTION A-A



NOTES:

- ① ON ALL ORDERS FOR ZERO, PACKAGE AND SHIP UNASSEMBLED.
- ② ZINC+YELLOW PER ASTM B633 CLASS FE/ZE VI TYPE 2.
- ③ CAD PLATE & YELLOW CHROMATE PER QQ P-416 TYPE II, CLASS 2.
- ④ BRIGHT NICKLE

REMOVE ALL BURRS & SHARP EDGES. ALL DIMENSIONS ARE IN INCHES UNLESS OTHERWISE NOTED.

TOLERANCES (EXCEPT AS NOTED)

TWO PLACE DECIMALS ±.01  
 THREE PLACE DECIMALS ±.005  
 FRACTIONS ±.015

SURFACE ROUGHNESS 63√ ±5°  
 ANGLES

DRWN	TJM	DATE
CK'D	~	07/18
APVD	~	~



SCALE: 1:2

UNS NO. ~  
 MATL: ~  
 FINISH: ~

A	ECN 20266; SEE ECN SHEET FOR CHANGES	TJM	.	.
LTR	REVISION	BY	APVD	DATE
TITLE: CATCH ASSEMBLY				
CAGE NO.	SIZE	ID CODE	DWG NO.	REV
1RRL5	B	~	250 SERIES	A