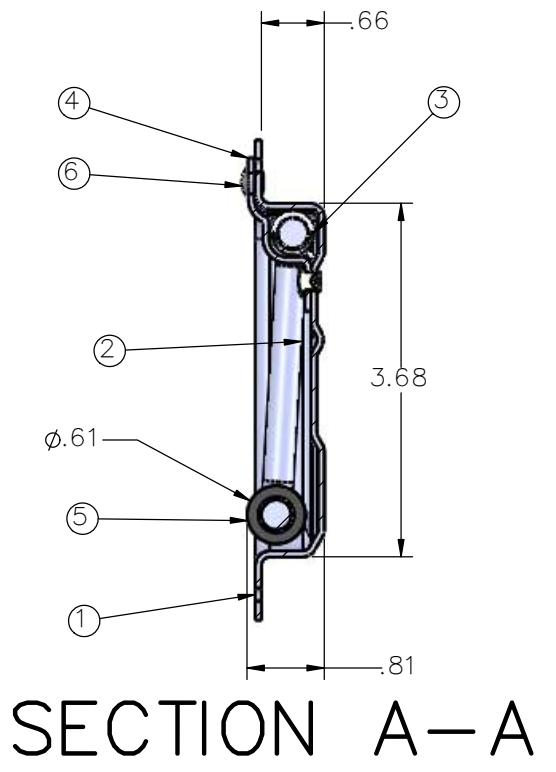
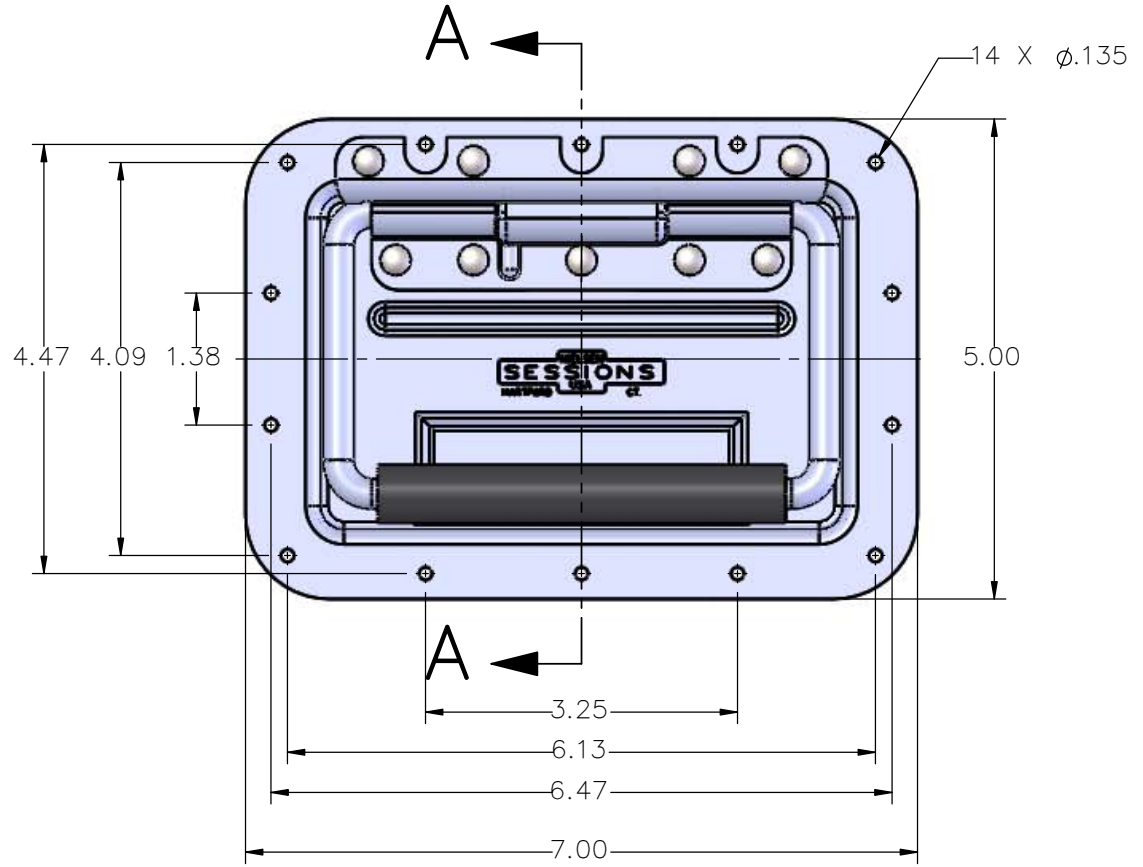
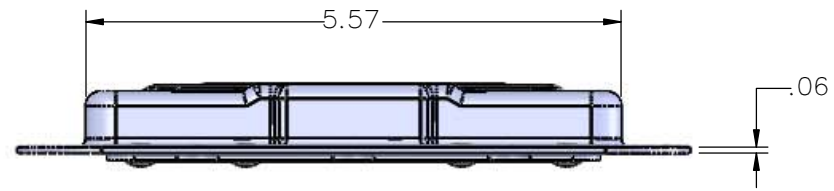


ITEM	PART NO.	DESCRIPTION	QTY.	QTY.	NOTES
-	B-900-503-76-M08-AA	HANDLE ASSEMBLY	X		
-	B-900-503-76-M08-AE	HANDLE ASSEMBLY	-	X	
1	B-923-503-72-M07-AA	DISH	1		①
	B-923-503-72-M07-AE			1	
2	A-909-503-12-M03-YA	BAIL	1		③
	A-909-503-12-M04-M			1	
3	A-910-503-17-M13-SA	SPRING	1	1	
4	B-908-503-09-M07-AA	RETAINER	1		⑤
	B-908-503-09-M07-AE			1	
5	A-922-980-005-01RG	RUBBER GRIP	1		
6	A-912-503-18-M07-AA	RIVET	9		⑦
	A-912-503-18-M07-AE			9	



- ⑧ COMMERCIAL GRADE ALUMINUM - CAUSTIC ETCH.
- ⑦ COMMERCIAL GRADE ALUMINUM - YELLOW ALODYNE.
- ⑥ AISI 5052-H32 ALUMINUM - CAUSTIC ETCH.
- ⑤ AISI 5052-H32 ALUMINUM - YELLOW ALODYNE.
- ④ AISI 1010/1008 STEEL - GALVANIZED.
- ③ AISI 1010/1008 STEEL - ZINC/YELLOW CHROMATE.
- ② 5053-0 ALUMINUM - CAUSTIC ETCH.
- ① 5052-0 ALUMINUM - YELLOW ALODYNE.

NOTES:

REMOVE ALL BURRS & SHARP EDGES. ALL DIMENSIONS ARE IN INCHES UNLESS OTHERWISE NOTED.
 TOLERANCES (EXCEPT AS NOTED)
 TWO PLACE DECIMALS \pm .01
 THREE PLACE DECIMALS \pm .003
 FRACTIONS \pm .015
 SURFACE ROUGHNESS $\sqrt{63}$
 ANGLES $\pm 5^\circ$

DRWN	BDS	DATE
CK'D	BSL	02/12
APVD	BSL	02/12

Nielsen Sessions

SCALE: 1:2

UNS NO: ~
 MATL: ~
 FINISH: ~

D	ECN 15961; SEE ECN SH FOR CHANGES	BDS	BSL	02/12
C	ECN 15098; SEE ECN SH FOR CHANGES	MAK	CDY	09/10
LTR	REVISION	BY	APVD	DATE
TITLE: HANDLE ASSEMBLY				
CAGE NO	SIZE	ID CODE	DWG NO	REV
1RRL5	B	900	503 SERIES	D